

Measurement and control solutions

Zelio Control

Catalogue

March 2009





The A to Z of temperature control in all simplicity

Superior in quality, the new **Zelio Control REG** relays are a key component for a temperature regulation solution (solid-state relays, electromechanical relays, PLCs, variable speed drives, displays). Featuring Modbus communication and advanced functions as standard, they offer excellent simplicity of installation and use.

Contents

Presentation

Combine simplicity, performance and economy	2
Opt for an efficient solution	4

Technical characteristics

Selection guide	6
Presentation	8
Characteristics	11
References	12
Dimensions	16
Connections	17

Make the most of your energy



Combine simplicity, performance and economy

Zelio Control REG relays provide a temperature control solution within the following domains: industrial machines, HVAC, packaging, textile.
The temperature control relays are available in 3 formats (DIN standards).



24x48mm

> Optimised size and performance

- Temperature regulation at a reduced price
- Small size front face

48x48mm

> Excellent size/performance ratio

- Wide variety of functions combined with excellent characteristics
- Suited to a wide range of applications

96x48mm

> Performance, user-friendliness and design considerations

- Elegant design enabling perfect integration on front face of machines
- Large buttons for ease of use
- Very functional

IP66 NEMA4X

High degree of protection on front face enabling use in severe environments.

100% legibility

High luminosity LED display providing excellent clarity whatever the lighting conditions.

> No options or additional costs, everything included for the same price!

Modbus communication and advanced functions integrated as standard.

- Integrated Modbus communication port for easy data exchange with other automation products.
- Advanced functions
 - PID,
 - ramps,
 - fuzzy logic to avoid overshooting,
 - auto-tuning,
 - soft start, depending on model,
 - automatic or manual operating mode, depending on model.



> Simplicity of installation and use

Optimisation of mounting and parametering times

- Common software for all products in the temperature relay range (freely downloadable from schneider-electric.com).
- A single cable enables connection to both a computer and PLCs.
- Simple adjustment of parameters.
- Saving of configurations.
- Compatible with a wide range of sensors available on the market.



ZelioControl Soft

+70%

time savings for parametering.

90mm

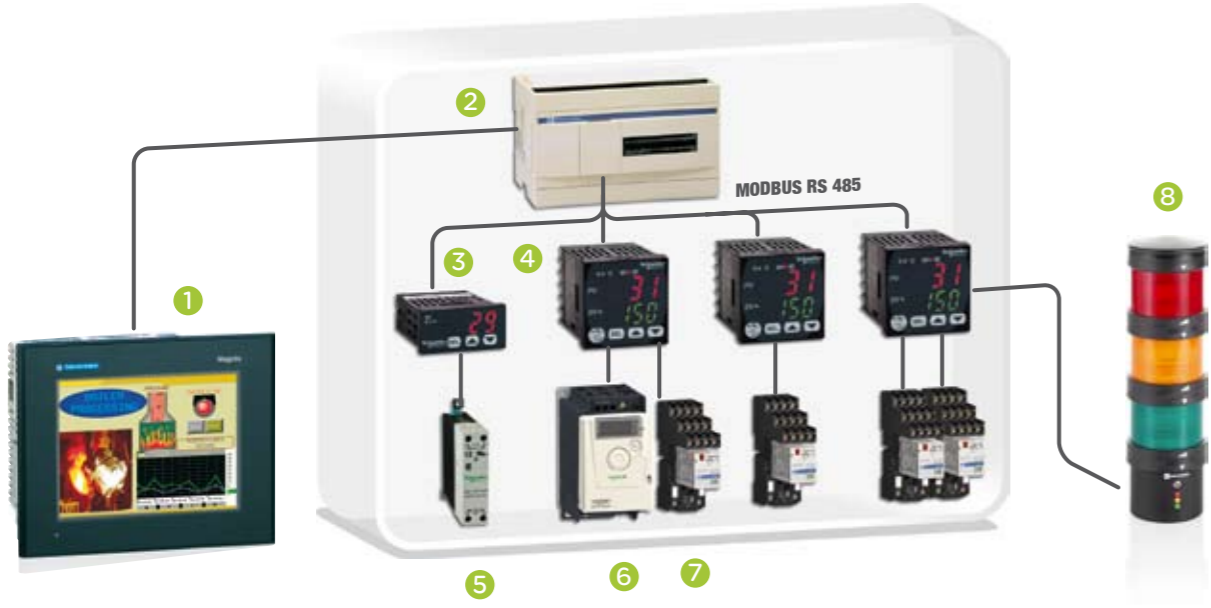
Shallow depth of product reduces size of enclosures.



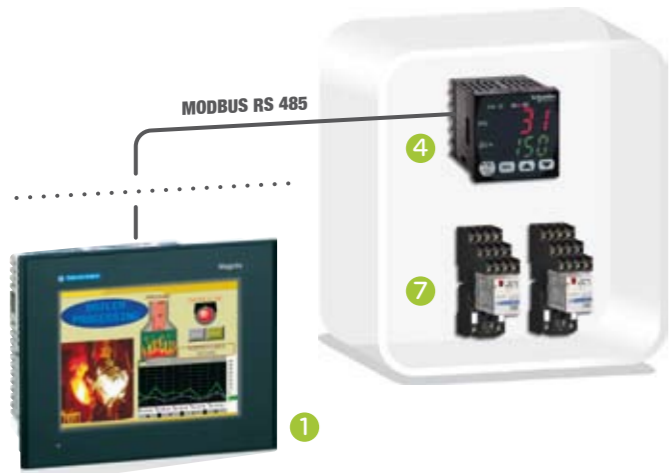
Opt for an efficient solution!

+ The Schneider Electric advantage: we offer a complete solution, from solid-state relays to controllers, that fully lives up to your expectations. Present in 190 countries, you can be assured of service and product availability wherever you are.

Complete installation



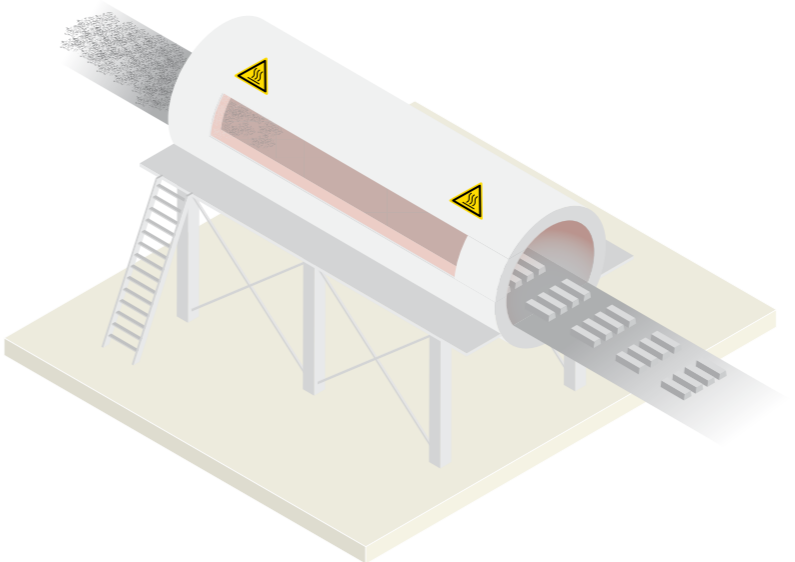
Simple installation



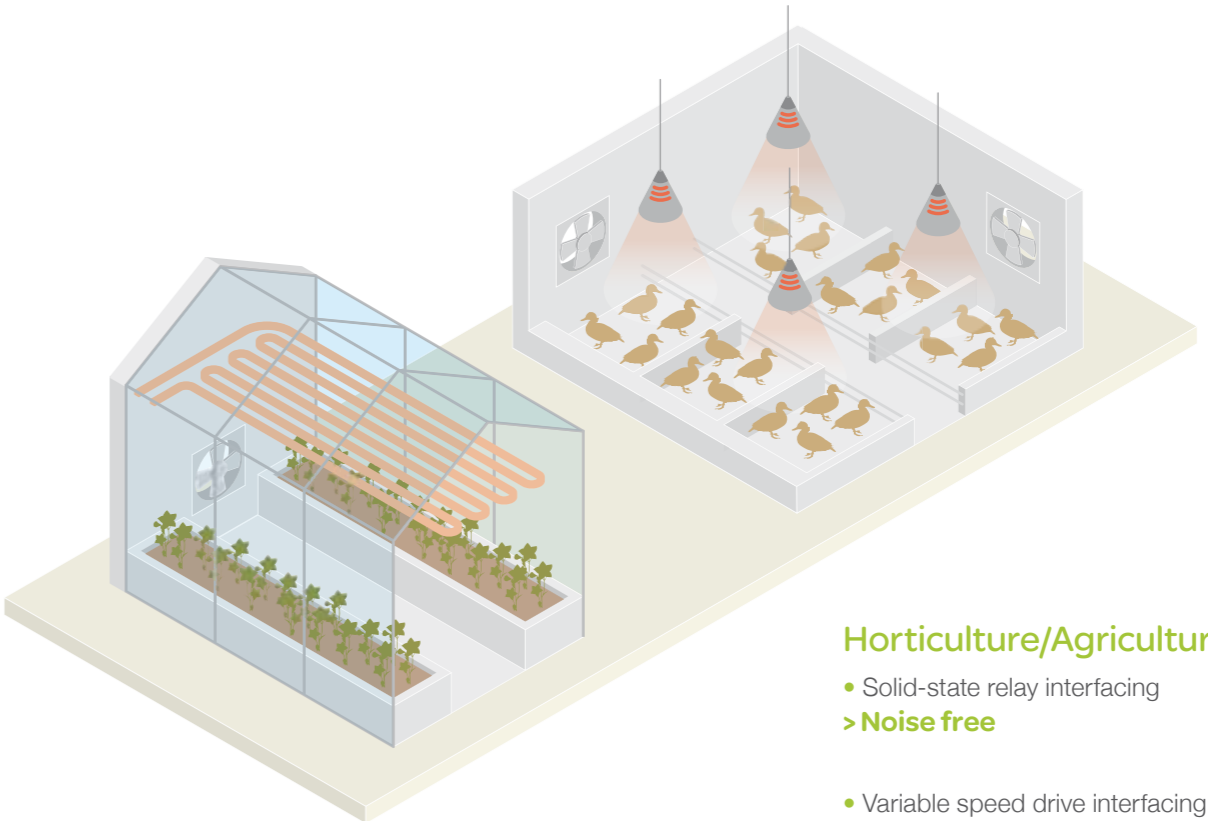
- 1 Display unit **Magelis XBT GT**
- 2 Programmable controllers **Twido TWD LC...**
- 3 Temperature control relay **Zelio REG 24**
- 4 Temperature control relay **Zelio REG 48**
- 5 Solid-state relay **Zelio Relay SSR...**
- 6 Variable speed drive **Altivar 12**
- 7 Electromechanical relay **Zelio Relay RUM...**
- 8 Illuminated indicator bank **Harmony XVB**

> Simple integration in all types of application

Application examples:
(for all application domains see page 8)



- Industrial ovens**
- Modbus communication
 - 2 alerts
- > **Continuous process control**



- Horticulture/Agriculture**
- Solid-state relay interfacing
- > **Noise free**
- Variable speed drive interfacing
- > **Progressive ventilation**

Zelio Control - measurement and control relays

REG temperature control relays

Size (mm) - Standard

24 x 48 – 1/32 DIN



Inputs		Thermocouple PT 100 probe - Voltage/current, depending on model
Sampling time		500 ms
Communication on Modbus bus		Yes, except for REG 24PTP1A●HU
Dust and watertight front panel	IP66 (conforming to NEMA-4X)	Yes
Functions	Hysteresis	Yes
	PID	Yes
	Auto-tuning	Yes
	Fuzzy logic	Yes
	Ramps	8 steps
	Controlled start-up	No
	Operating mode	Automatic
Alarm outputs		1 on REG 24PTP1A●HU only
Display	7 segment LED, 4 digits	1
	Operating indicators	4
Process Outputs (number - type)	1 relay	■
	2 relays	–
	1 solid state relay	■
	1 relay + 1 solid state relay	–
	1 current (4-20 mA)	■
	1 solid state relay + 1 current (4-20 mA)	–
Supply voltage	~ 100...240 V	REG 24P●●●●HU
	~ 24 V	REG 24P●●●●LU
Temperature control relay type		REG 24
Page		12

48 x 48 – 1/16 DIN

96 x 48 – 1/8 DIN



Universal	Universal
200 ms	200 ms
Yes, except for REG 48PUNL1●HU	Yes, except for REG 96PUNL1●HU
Yes	Yes
Yes	Yes
Yes	Yes
Yes	Yes
16 steps	16 steps
Yes	Yes
Automatic and manual	Automatic and manual
2	3
2, red and green, configurable	2, red and green, configurable
5	6
■	■
■	■
■	■
■	■
■	■
■	■
REG 48PUN●●HU	REG 96PUN●●HU
REG 48PUN●●LU	REG 96PUN●●LU
REG 48	REG 96
12	12

Zelio Control - measurement and control relays

REG temperature control relays



24 x 48 mm size



48 x 48 mm size



96 x 48 mm size



ZelioControl Soft software can be downloaded from www.schneider-electric.com

Presentation

Product

The range of **REG** temperature control relays provides a solution with 3 product sizes (DIN standard):

- 24 x 48 mm (1/32 DIN),
- 48 x 48 mm (1/16 DIN),
- 96 x 48 mm (1/8 DIN).

The range includes 40 models which offer the following characteristics (depending on model):

- Supply voltage ~ 100...240 V or ~ 24 V.
- Input: Thermocouple PT 100 probe-Voltage/current or universal, depending on model.
- Configurable display: red and green display colours and possibility of flashing display in the event of an alarm.
- 1, 2 or 3 alarm outputs, depending on model.
- Advanced functions, depending on model.

Operation

- One or two dedicated outputs for heating, cooling or heating/cooling of processes based on PID algorithms.
- Advanced functions:
 - ramps,
 - fuzzy logic to avoid over/under temperature,
 - auto-tuning,
 - controlled start-up, depending on model.
 - automatic or manual operating mode, depending on model.

Applications

REG temperature control relays are aimed at system integrators and machine manufacturers; they provide a solution for temperature control in the following applications: industrial machines, HVAC, packaging, textile industry.

Application examples:

- Boilers and furnaces,
- Extrusion lines,
- Plastic and rubber injection presses,
- Thermo-forming,
- Production of synthetic fibres and polymerisation,
- Food and drinks processing lines,
- Moulding presses,
- Environmental test chambers, overhead furnaces and test benches,
- UV & Laser technologies,
- Maintaining the temperature of a colour bath,
- Cold rooms,
- Paint booths,
- Horticultural and livestock farms.

Software configuration

"ZelioControl Soft" software is used to configure the parameter settings of **REG** temperature control relays (except for REG 24PTP1A●HU).

- This software is available free of charge and can be downloaded from the following web site: www.schneider-electric.com
- It runs on a PC, with Windows 98, XP or Vista operating system.
- It allows modification of parameter settings, saving and downloading of configurations.

Zelio Control - measurement and control relays

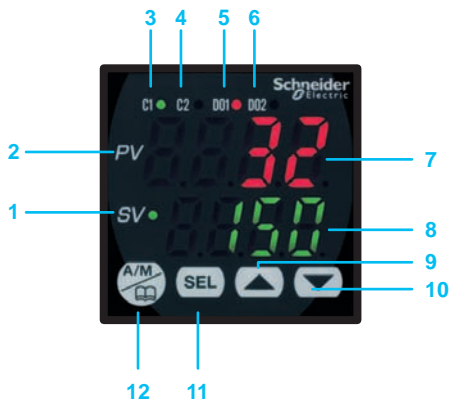
REG temperature control relays



Description

24 x 48 size – 1/32 DIN standard

- 1 C1 : indicator showing output 1 ON.
- 2 SV : set-point value indicator; on = SV, off = PV present value indicator, if parameter entry
- 3 SEL : selector button.
- 4 Display of parameter value entered, 4 red digits, 10 mm high
- 5 UP (increment) arrow.
- 6 DOWN (decrement) arrow.
- 7 AL1 : relay output alarm on REG 24PTP1A●HU only.
- 8 AL2 : Modbus alarm.



48 x 48 size – 1/16 DIN standard

- 1 SV : set-point value indicator.
- 2 PV : present value indicator.
- 3 C1 : indicator showing output 1 ON.
- 4 C2 : indicator showing output 2 ON.
- 5 D01 : Alarm 1 output ON.
- 6 D02 : Alarm 2 output ON.
- 7 Display of process value, 4 red digits, 12 mm high
- 8 Display of parameter value entered, 4 green digits, 10 mm high
- 9 UP (increment) arrow.
- 10 DOWN (decrement) arrow.
- 11 SEL : selector button.
- 12 A/M : automatic/manual mode or configuration key.



96 x 48 size – 1/8 DIN standard

- 1 SV : set-point value indicator.
- 2 PV : present value indicator.
- 3 C1 : indicator showing output 1 ON.
- 4 C2 : indicator showing, output 2 ON.
- 5 D01 : Alarm 1 output ON.
- 6 D02 : Alarm 2 output ON.
- 7 D03 : Alarm 3 output ON.
- 8 Display of process value, 4 red digits, 12 mm high
- 9 Display of parameter value entered, 4 green digits, 10 mm high
- 10 UP (increment) arrow.
- 11 DOWN (decrement) arrow.
- 12 A/M : automatic/manual mode or configuration key.
- 13 SEL : selector button.

Zelio Control - measurement and control relays

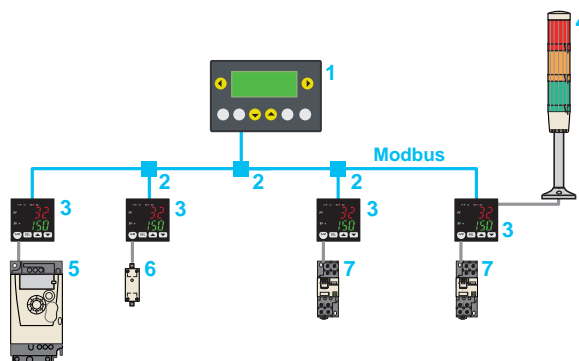
REG temperature control relays

Examples of architectures with communication on Modbus serial port

Control relays **REG 24**, **REG 48** and **REG 96** (1) have a communication port for data exchange and parameter entry on the Modbus bus.

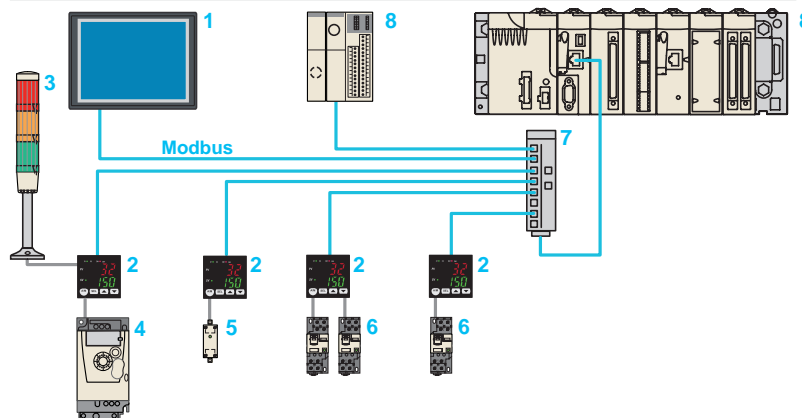
These temperature control relays can be incorporated in intelligent architectures supervised by Magelis terminals or controlled by PLCs (Twido, M340 or Premium) for the exchange and transmission of data such as set-point values, present values and alarms.

REG temperature control relays supervised by a Magelis compact terminal



- 1 Compact terminal **XBT N**, master on the Modbus network.
- 2 Junction box **TWD XCATR3RJ**.
- 3 Temperature control relay **REG 24/48/96**.
- 4 Alarm: illuminated indicator bank **XVM** (2).
- 5 Current output: variable speed drive **ATV 12H075M2** (3).
- 6 Solid state relay output **SSR**.
- 7 Electromechanical relay output **RXM 2AB2●●**.

REG temperature control relays, controlled by PLCs



- 1 Graphic terminal **XBT G**, slave on the Modbus network, for regular reading of values, recording of curves (ramps), changes in presets.
- 2 Temperature control relay **REG 24/48/96**.
- 3 Alarm: illuminated indicator bank **XVM** (2).
- 4 Current output: variable speed drive **ATV 12H075M2** (3).
- 5 **SSR** solid state relay output.
- 6 **RXM 2AB2●●** electromechanical relay output.
- 7 Modbus hub **LU9 GC3**.
- 8 PLCs with sequential processing of instructions: Twido programmable controller, or Modicon M340 automation platform, masters on the Modbus network.

(1) Except on **REG 24PTP1A●HU**, **REG 48PUNL1●HU** and **REG 96PUNL1●HU**.

(2) Illuminated indicator bank **XVM**, preassembled and pre-wired with "buzzer" incorporated in the base please see our "Control and signalling components" catalogue

(3) Variable speed drive **ATV 12H075M2**: frequency converter for 3-phase asynchronous motors, 200...240 V from 0.18 kW to 4 kW.

Environment characteristics					
Size (mm) - Standard			24 x 48 - 1/32 DIN	48 x 48 - 1/16 DIN	96 x 48 - 1/8 DIN
Conforming to standards			EMC EN 61326-1, LVD EN 61010-1		
Product certifications			cURus (873), CSA C22.2 n° 24-93, Gost		
Product marking			CE		
Ambient air temperature around the device	Operation	°C	- 10...+ 50		
	Storage	°C	- 20...+ 60		
Relative humidity			90 % without condensation		
Altitude	Operation	m	2000		
	Storage	m	3000		
Vibration resistance			1 gn (10...70 Hz)		
Shock resistance			5 gn		
Input type	PT100 probe		Yes	Yes	Yes
	Thermocouple J, K, R, B, S, T, E, N, PLII		Yes	Yes	Yes
	Voltage/current	V	1...5	0...5, 1...5, 0...10, 2...10, 0...0.100	
		mA	4...20	0...20, 4...20	
Precision of information displayed		%FS	0.5	0.3	0.3
Number of Process outputs			1	1 or 2	1 or 2
Sampling time		ms	500	200	200
Power supply					
Voltage range	~ 100...240 V	V	85...264		
	~ 24 V	V	21.6...26.4		
Power consumption	~ 100...240 V	VA	6 to 100 8 to 240	12	12
	~ 24 V	VA	8	12	12
Communication on Modbus bus					
Serial port	Number and type		1 x RS 485		
Flow rate		Kbits/s	9600 and 19 200		
Isolation between internal circuit and serial port			Non isolated		
Communication protocol			Modbus slave RTU, half duplex		
Built-in functions					
Hysteresis			Yes	Yes	Yes
PID			Yes	Yes	Yes
Auto-tuning			Yes	Yes	Yes
Fuzzy logic			Yes	Yes	Yes
Ramps		Steps	8	16	16
Controlled start-up			No	Yes	Yes
Operating mode			Automatic	Automatic and manual	Automatic and manual
Output characteristics					
Relays			SPDT ~ 220 V, ~ 30 V/3A	SPST ~ 220 V, ~ 30 V/3A	
Solid state relay			~ 24 V, 20 mA, 850 Ω		
Current			4...20 mA, load resistance 600 Ω max	4...20 mA, load resistance 600 Ω max / 0...5 V, 1...5 V, 0...10 V, 2...10 V 10 KΩ min	
Alarm outputs	SPDT	~ V	100-220, load capacity 1 A	100-220, load capacity 3 A	
		~ V	30, load capacity 1 A	30, load capacity 3 A	

Zelio Control - measurement and control relays

REG temperature control relays



REG 24PTP1 ●●●●●
REG 24PUJ1 ●●●●●

Temperature control relays						
24 x 48 size – 1/32 DIN standard						
Input type	Supply voltage	Number and type of outputs	Alarm	Communication on Modbus bus	Reference	Weight kg
Thermocouple PT100 probe	~ 100/240 V	1 relay	No	Yes	REG 24PTP1RHU	0.200
		1 relay	1	No	REG 24PTP1ARHU	0.200
		1 solid state relay	No	Yes	REG 24PTP1LHU	0.200
		1 solid state relay	1	No	REG 24PTP1ALHU	0.200
		1 current (4-20 mA)	No	Yes	REG 24PTP1JHU	0.200
Voltage/current	~ 24 V	1 relay	No	Yes	REG 24PTP1RLU	0.200
		1 solid state relay	No	Yes	REG 24PTP1LLU	0.200
		1 current (4-20 mA)	No	Yes	REG 24PTP1JLU	0.200
	~ 100/240 V	1 relay	No	Yes	REG 24PUJ1RHU	0.200
		1 solid state relay	No	Yes	REG 24PUJ1LHU	0.200
~ 24 V	1 relay	No	Yes	REG 24PUJ1RLU	0.200	
	1 solid state relay	No	Yes	REG 24PUJ1LLU	0.200	



REG 48PUN●●●●●

48 x 48 size – 1/16 DIN standard						
Universal	~ 100/240 V	1 relay	2	Yes	REG 48PUN1RHU	0.300
				No	REG 48PUNL1RHU	0.300
		2 relays	2	Yes	REG 48PUN2RHU	0.300
				No	REG 48PUNL2RHU	0.300
		1 solid state relay	2	Yes	REG 48PUN1LHU	0.300
				No	REG 48PUNL1LHU	0.300
		1 relay + 1 solid state relay	2	Yes	REG 48PUN2RLHU	0.300
				No	REG 48PUNL2RLHU	0.300
		1 current (4-20 mA)	2	Yes	REG 48PUN1JHU	0.300
				No	REG 48PUNL1JHU	0.300
		1 solid state relay + 1 current (4-20 mA)	2	Yes	REG 48PUN2LJHU	0.300
				No	REG 48PUNL2LJHU	0.300
~ 24 V	1 relay	2	Yes	REG 48PUN1RLU	0.300	
			No	REG 48PUNL1RLU	0.300	
	2 relays	2	Yes	REG 48PUN2RLU	0.300	
			No	REG 48PUNL2RLU	0.300	
	1 solid state relay	2	Yes	REG 48PUN1LLU	0.300	
			No	REG 48PUNL1LLU	0.300	
	1 relay + 1 solid state relay	2	Yes	REG 48PUN2RLLU	0.300	
			No	REG 48PUNL2RLLU	0.300	
1 current (4-20 mA)	2	Yes	REG 48PUN1JLU	0.300		
		No	REG 48PUNL1JLU	0.300		
1 solid state relay + 1 current (4-20 mA)	2	Yes	REG 48PUN2LJLU	0.300		
		No	REG 48PUNL2LJLU	0.300		



REG 96PUN●●●●●

96 x 48 size – 1/8 DIN standard						
Universal	~ 100/240 V	1 relay	3	Yes	REG 96PUN1RHU	0.300
				No	REG 96PUNL1RHU	0.300
		2 relays	3	Yes	REG 96PUN2RHU	0.300
				No	REG 96PUNL2RHU	0.300
		1 solid state relay	3	Yes	REG 96PUN1LHU	0.300
				No	REG 96PUNL1LHU	0.300
		1 relay + 1 solid state relay	3	Yes	REG 96PUN2RLHU	0.300
				No	REG 96PUNL2RLHU	0.300
		1 current (4-20 mA)	3	Yes	REG 96PUN1JHU	0.300
				No	REG 96PUNL1JHU	0.300
		1 solid state relay + 1 current (4-20 mA)	3	Yes	REG 96PUN2LJHU	0.300
				No	REG 96PUNL2LJHU	0.300
~ 24 V	1 relay	3	Yes	REG 96PUN1RLU	0.300	
			No	REG 96PUNL1RLU	0.300	
	2 relays	3	Yes	REG 96PUN2RLU	0.300	
			No	REG 96PUNL2RLU	0.300	
	1 solid state relay	3	Yes	REG 96PUN1LLU	0.300	
			No	REG 96PUNL1LLU	0.300	
	1 relay + 1 solid state relay	3	Yes	REG 96PUN2RLLU	0.300	
			No	REG 96PUNL2RLLU	0.300	
1 current (4-20 mA)	3	Yes	REG 96PUN1JLU	0.300		
		No	REG 96PUNL1JLU	0.300		
1 solid state relay + 1 current (4-20 mA)	3	Yes	REG 96PUN2LJLU	0.300		
		No	REG 96PUNL2LJLU	0.300		

Zelio Control - measurement and control relays

REG temperature control relays

Separate components for temperature control relays ⁽¹⁾

Description	For use with control relay size	Sold in lots of	Unit reference	Weight g
Bracket for mounting on \perp rail	24 x 48	4	REG 24PSOC	14.93
Terminal block cover	48 x 48	2	REG 48PCOV	7.77
	96 x 48	2	REG 96PCOV	13.17

Miniature plug-in relays with lockable test button and LED

2 C/O contacts - Thermal current (Ith): 12 A

Control circuit voltage V	Sold in lots of	Unit reference	Weight kg
$\overline{\text{---}}$ 12	10	RXM 2AB2JD	0.037
$\overline{\text{---}}$ 24	10	RXM 2AB2BD	0.037
$\overline{\text{---}}$ 48	10	RXM 2AB2ED	0.037
$\overline{\text{---}}$ 110	10	RXM 2AB2FD	0.037
\sim 24	10	RXM 2AB2B7	0.037
\sim 48	10	RXM 2AB2E7	0.037
\sim 120	10	RXM 2AB2F7	0.037
\sim 230	10	RXM 2AB2P7	0.037



RXM 2AB2●●

Solid state relays with 1 N/O contact, for mounting on \perp rail

Switching	Voltage range		Load current (A)	References	Weight kg	
	Input (V)	Output (V)				
SCR output	Zero voltage	$\overline{\text{---}}$ 4...32	\sim 24...280	SSR DCDS10A1	0.272	
				20	SSR DCDS20A1	0.272
				30	SSR DCDS30A1	0.272
				45	SSR DCDS45A1	0.482



SSR DCDS10A1

ATV12 variable speed drives with heat sink

For more information, please consult our "Altivar 12 variable speed drives" catalogue

Motor	Network				Altivar 12				Reference	Weight kg
	Power indicated on rating plate	Max. line current	Apparent power	Pro-spective max. line Isc	Max. continuous output current (In) at U2	Max. transient current for 60 s	Power dissipated at max. output current (In)	Reference		
kW	HP	A	A	kVA	kA	A	A	W		kg
Single-phase supply voltage: 100...120 V 50/60 Hz										
0.75	1	18.9	15.7	3.3	1	4.2	6.3	48	ATV 12H075M2	1.300
Single-phase supply voltage: 200...240 V 50/60 Hz										
0.75	1	10.2	8.5	3.5	1	4.2	6.3	44	ATV 12H075M2	0.800
3-phase supply voltage: 200...240 V 50/60 Hz										
0.75	1	6.3	5.3	2.2	5	4.2	6.3	41	ATV 12H075M3	0.800

(1) To be ordered separately.



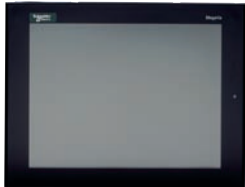
ATV 12H075M2

Zelio Control - measurement and control relays

REG temperature control relays



XBT N400/N401



XBT GT6300

Magelis terminals for supervision on Modbus						
Description	Downloadable exchange protocol	Compatible with PLC types	Supply voltage	Screen type	Reference	Weight kg
Compact terminals						
Terminals with 4 lines of 20 characters matrix screen	Modbus	Twido, Nano, TSX Micro, Premium, Modicon M340	5 V by terminal port on PLC	LCD backlit green (122 x 32 pixels)	XBT N400	0.360
		Twido, Nano, TSX Micro, Premium, Momentum, Quantum, Modicon M340	24 V external source	LCD backlit green (122 x 32 pixels)	XBTN410	0.380
				LCD backlit green, orange and red (122 x 32 pixels)	XBTN401	0.380
	Modbus	TeSys U motor starters Altivar variable speed drives	24 V external source	LCD backlit green (122 x 32 pixels)	XBT NU400	0.380
Colour graphic terminal with tactile screen						
Multifunction terminal 12.1" with TFT screen	Modbus (RS 485) on RJ45 connector	Twido, Nano, TSX Micro, Premium, Modicon M340	5 V by terminal port on PLC	LCD backlit green	XBT GT6330	3.000
Cable for direct connection of XBT N terminals to PLCs						
length 2.5 m	Twido, Nano, TSX Micro, Premium	RS 485	Mini-Din	Modbus	XBT Z9780	–
	Modicon M340	RS 485	RJ45	Modbus	XBT Z9980	–

Zelio Control - measurement and control relays

REG temperature control relays



TWD LC0E 40DRF

Twido programmable controllers

Controllers

Item	No. of discrete I/O	Supply voltage	Reference	Weight kg
Compact base controllers with integrated Ethernet port Transparent Ready Class A10	24 ~ 24 V inputs 14 relay outputs	~ 100...240 V	TWD LCAE 40DRF	0.525
	2 ~ 24 V solid state relay outputs	~ 24 V	TWD LCDE 40DRF	0.525



TSX CUSB 485

Tap-off, adapter and connection components for RS 485 serial link

Item	Description	Length (m)	Reference	Weight kg
USB/RS485 converter	Allows connection of the REG temperature control relay's built-in port to the USB port on the programming PC (for software configuration) To be used with RJ45 cable/free wires	0.4	TSX CUSB 485	0.144
RS 485 cable	Fitted with a mini-DIN connector and an RJ45 connector To be used with the USB/RS485 converter	2.5	TSX CRJMD 25	0.150
Tap isolation box	RS 485 line isolation (1) Screw terminal block for main cable Line end adapter (RC 120 Ω, 1nF) Line pre-polarisation (2 R 620Ω) 2 x RF45 for tap-off Power supply ~ 24 V (screw terminals) Mounting on 35 mm rail	–	TWD XCA ISO	0.100
Tap junction box	Line end adapter (RC 120 Ω, 1nF), 1 x RJ45 for main cable 2 x RF45 for tap-off Mounting on 35 mm rail	–	TWD XCA T3RJ	0.080
Modbus RS 485 cables	1 RJ45 connector and 1 end with free wires	1	TWD XCA FJ010	0.060



TWD XCA ISO



TWD XCA T3RJ

Tap-off, adapter and connection components for RS 485 serial link

Item	Description	Length (m)	Reference	Weight kg
Modbus hub	10 RJ45 connectors and one screw terminal	–	LU9 GC3	0.500
Modbus RS 485 cables	1 RJ45 connector and 1 end with free wires	3	VW3 A8 306 D30	0.150
	1 RJ45 connector at each end	0.3	VW3 A8 306 R03	0.025
		1	VW3 A8 306 R10	0.060
		3	VW3 A8 306 R30	0.130

Phase regulated switch mode power supplies with automatic reset

Input voltage	Secondary			Reference	Weight kg
	Output voltage	Nominal power	Nominal current		
100...240 V -15 %, +10 % 50/60 Hz	~ 24 V	7 W	0.3 A	ABL 8MEM24003	0.100
		15 W	0.6 A	ABL 8MEM24006	0.100
		30 W	1.2 A	ABL 8MEM24012	0.195
		60 W	2.5 A	ABL 7RM24025	0.255

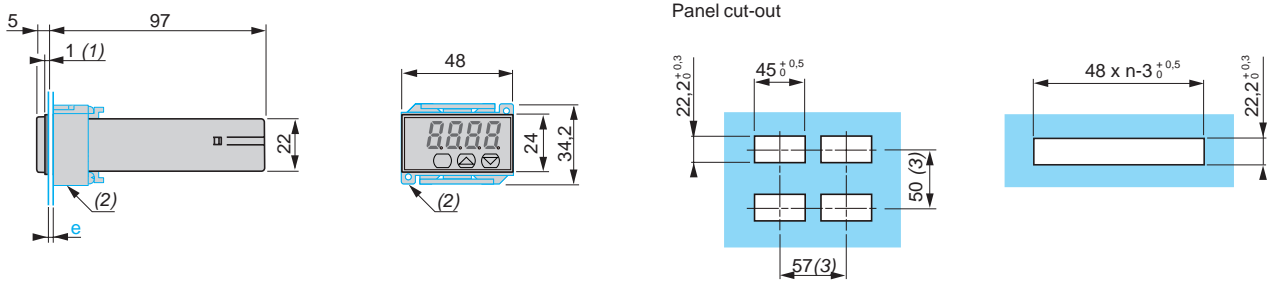
(1) Line isolation recommended for distances > 10 m.



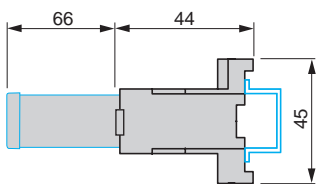
ABL 8MEM24003/24006

24 x 48 size– 1/32 DIN standard

Panel mounting: bracket supplied

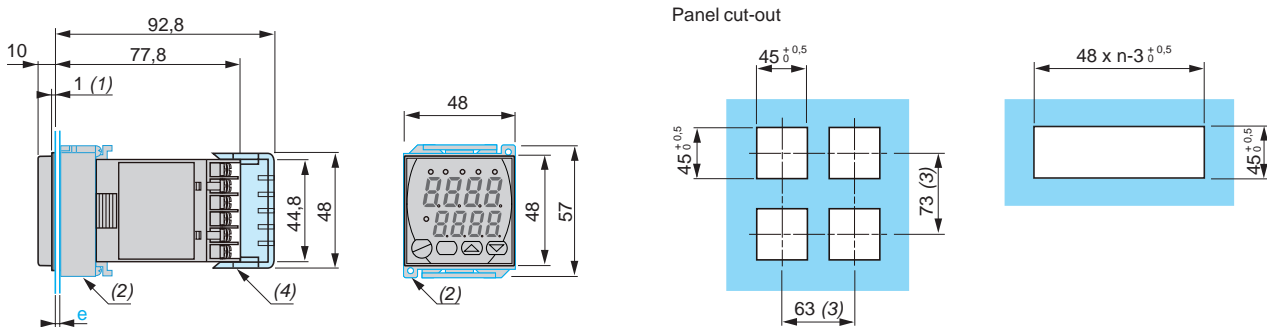


Mounting on L rail with accessory REG 24PSOC (to be ordered separately, see page 13)



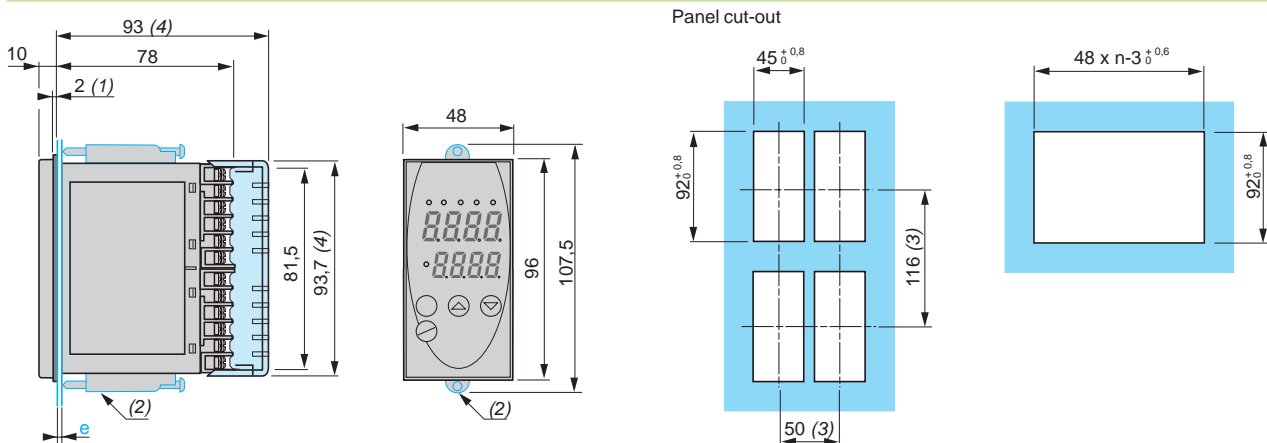
48 x 48 size – 1/16 DIN standard

Panel mounting: bracket supplied



96 x 48 – 1/8 DIN standard

Panel mounting; bracket supplied



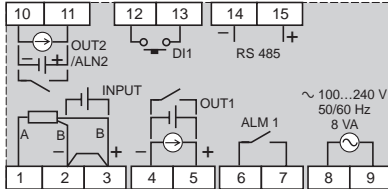
- (1) Seal
- (2) Fixing brackets supplied with REG temperature control relays.
- (3) Minimum value.
- (4) Terminal block cover, to be ordered separately, see page 13.

Zelio Control - measurement and control relays

REG temperature control relays

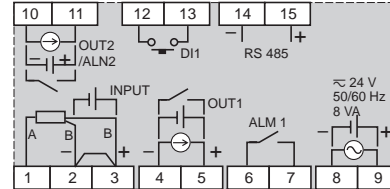
~ 100...240 V

REG 24PTP1RHU, REG 24PTP1ARHU, REG 24PTP1LHU
REG 24PTP1ALHU, REG 24PTP1JHU, REG 24PUJ1RHU,
REG 24PUJ1LHU

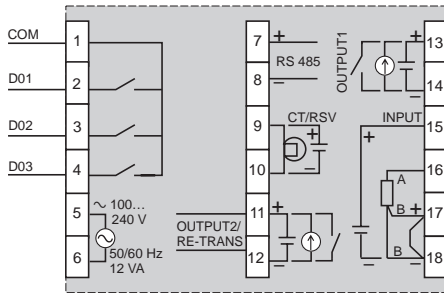


~ 24 V

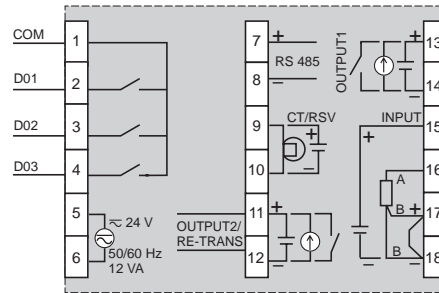
REG 24PTP1RLU, REG 24PTP1LLU, REG 24PTP1JLU, REG 24PUJ1RLU,
REG 24PUJ1LLU



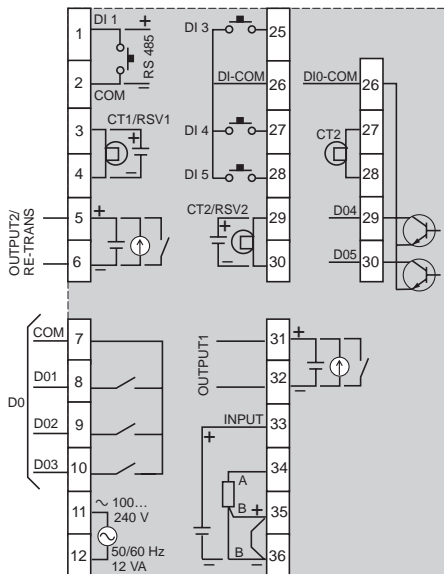
REG 48PUN1RHU, REG 48PUN1RHH, REG 48PUN2RHU,
REG 48PUN1LHU, REG 48PUN1LHH, REG 48PUN2RLHU,
REG 48PUN1JHU, REG 48PUN2LJHU



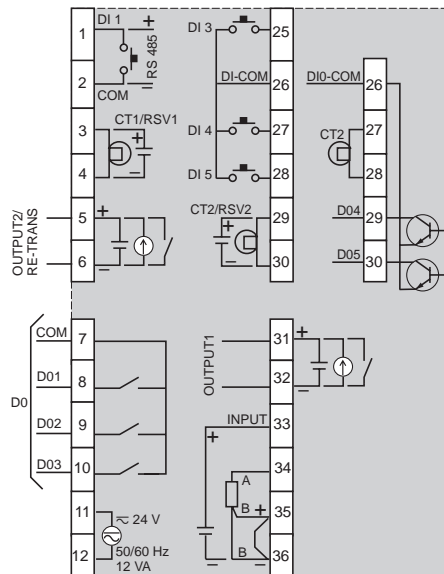
REG 48PUN1RLU, REG 48PUN2RLU, REG 48PUN1LLU,
REG 48PUN2RLLU, REG 48PUN1JLU, REG 48PUN2LJLU



REG 96PUN1RHU, REG 96PUN1RHH, REG 96PUN2RHU,
REG 96PUN1LHU, REG 96PUN1LHH, REG 96PUN2RLHU,
REG 96PUN1JHU, REG 96PUN2LJHU



REG 96PUN1RLU, REG 96PUN2RLU, REG 96PUN1LLU,
REG 96PUN2RLLU, REG 96PUN1JLU, REG 96PUN2LJLU



Schneider Electric Industries SAS

Head Office
35, rue Joseph Monier
F-92500 Rueil-Malmaison
France

www.schneider-electric.com

Due to evolution of standards and equipment, the characteristics indicated in texts and images of this document do not constitute a commitment on our part without confirmation.

Design: Schneider Electric
Photos: Schneider Electric
Printed by: