

Signalling solutions Harmony XVC/R/S

Catalogue

November 2009





Guaranteed distance-view information for more productivity

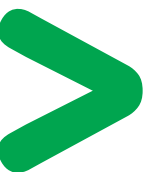
With the new pre-assembled and pre-cabled Harmony XVC, XVR and XVS ranges, Schneider Electric offers you much more than signalling solutions. Worldwide leader in Operator Dialogue components, we provide you with a guarantee:

- guaranteed solutions for any application
- guaranteed reliability in any situation
- guaranteed time saving

Contents

Presentation	2
Selection guide	4
Monolithic tower lights Harmony XVC	
Presentation, description	6
Characteristics	7
References	9
Dimensions	12
Rotating mirrors Harmony XVR	
Presentation, description	16
References	17
Dimensions, schemes	18
Sirens and alarms Harmony XVS	
Presentation, description	20
References, dimensions	21

Make the most of your energy



> Guaranteed solutions for any application

A complete offer

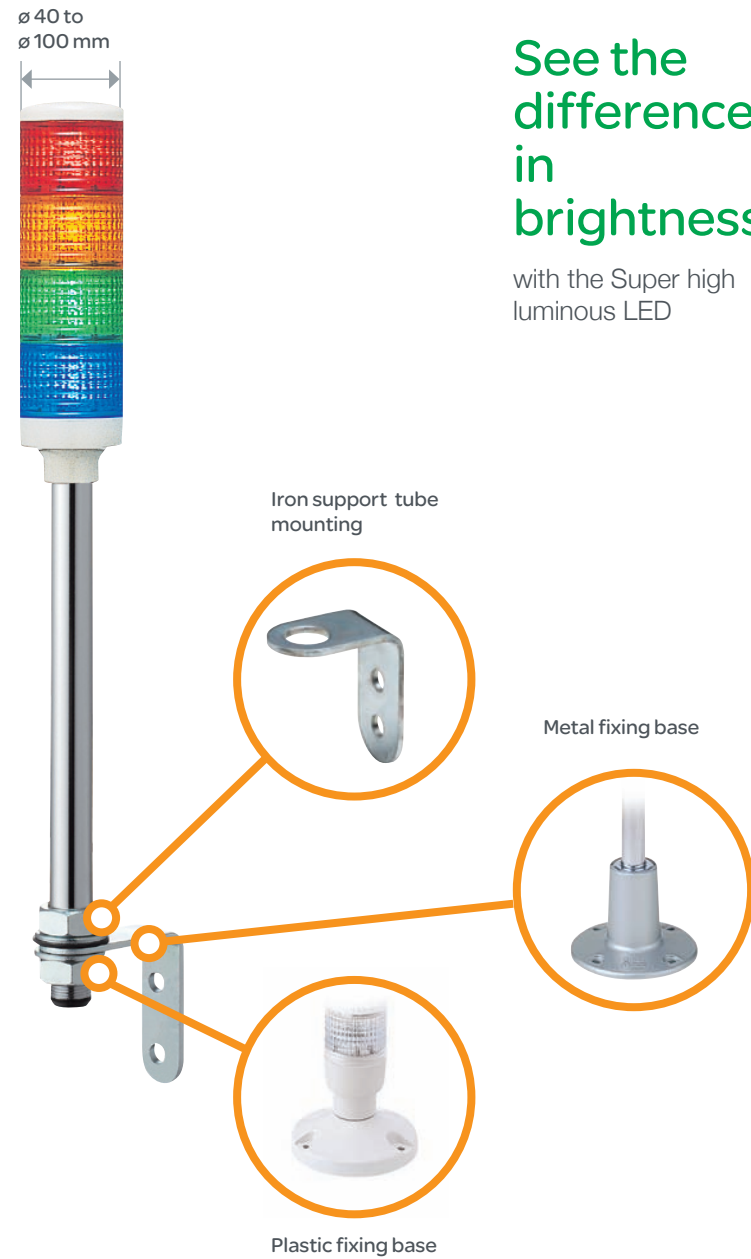
Featuring numerous styles, sounds, diameters (Ø 40 to Ø 130 mm) and fixing methods, the Harmony tower light, sound solutions and rotating mirror beacon ranges respond to all your signalling needs.

Tailor-made

We can produce tailor-made products to suit your specific requirements.

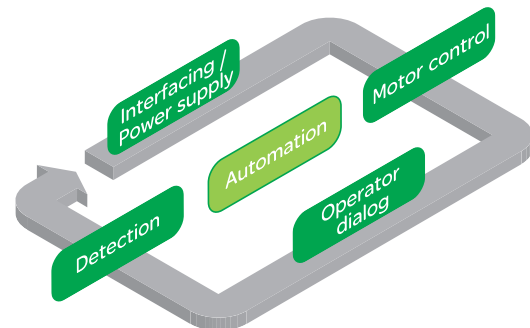
A unique partner, a global presence

You can be sure to find all the product necessary to automate your applications.



See the difference in brightness

with the Super high luminous LED



> Guaranteed reliability in any situation



Tested and certified performance

- Energy saving design with low power consumption
- High resistance of LEDs to mechanical shock and vibration
- Dust-proof and splash-proof construction (up to IP 66).

+100 000 hours life

without maintenance due to LED technology

In conformity with:

- CE marking and IEC/EN standard, UL, UR
- the requirements of the RoHS (Restriction of Hazardous Substances) European Directive.

100 % RoHS



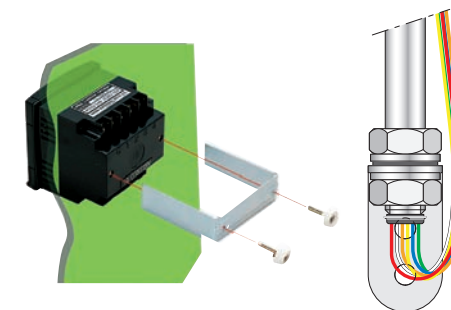
> Guaranteed time saving

Simplicity and speed of installation

- Complete and pre-cabled products, ready to use and install
- Simple and safe fixing

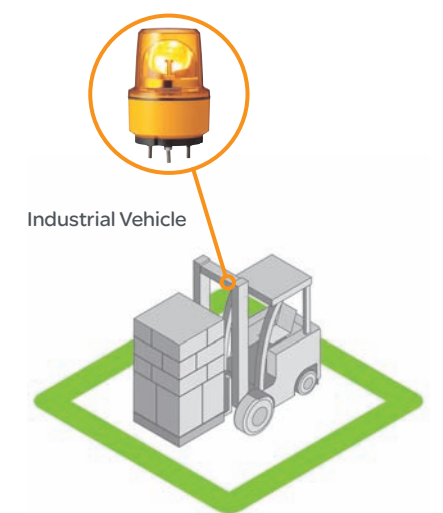
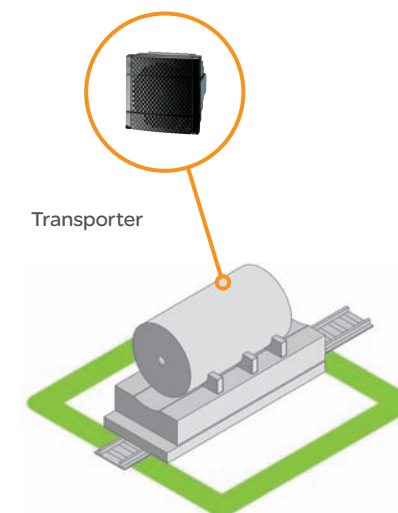
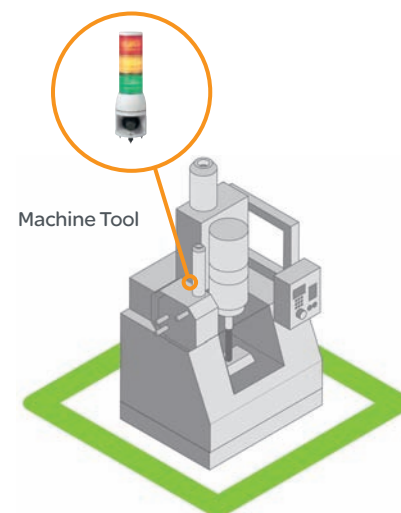
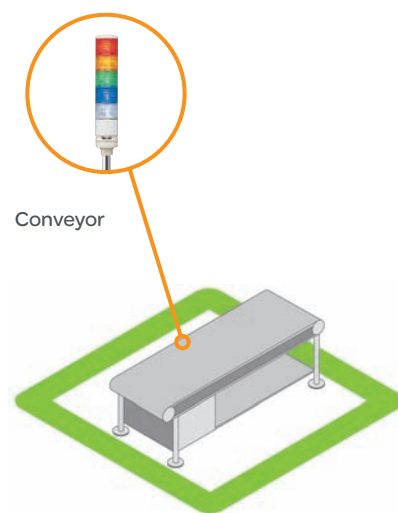
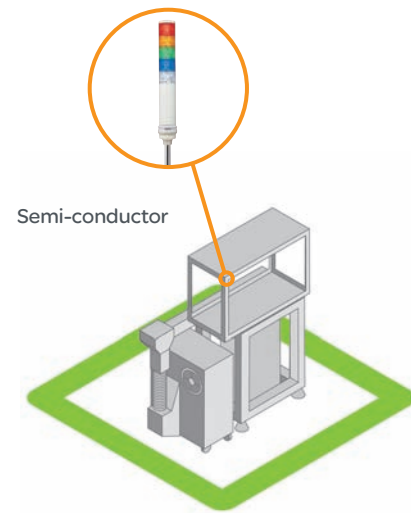
Worldwide availability

Present in 100 countries, Schneider Electric assures service and availability of Harmony products to suit your needs wherever you are.



100 % worldwide availability

A selection of products used in the most frequent applications



Monolithic Tower lights

Sound solutions

Rotating mirrors

Dimensions

XVC 4	XVC 6	XVC 1	XVC 1H
40 mm	60 mm	100 mm	

Features

Pre-cabled & pre-assembled

Base Mount

Pole or base Mount Base Mount

Light Source

LEDs

IP degree

IP 54

Colours of illuminated units / options

Red
Orange
Green
Blue
White

Voltages

AC/DC 24 V, AC 100 – 240 V DC 24 V, AC 100 – 240 V

Type of illuminating effect

Steady or Steady/Flashing

Buzzer / Horn

Buzzer (up to 2 tones) Horn

Melodies

- 16

Sound Level (dB)

70 to 85 60 to 85 0 to 102

Standards / Certifications

CE (UL, CSA, CCC and Gost in progress)

XVS 72	XVS 96	XVS 10	XVS 14
72 mm	96 mm	Ø 114 mm	140 mm

- Pre-cabled

Din72 Panel Mount Din96 Panel Mount Bracket

- -

IP 54 IP 65 IP 53

Black White

White -

- -

- -

- -

AC/DC 12 /24 V AC/DC 12 /24 V AC 120 & 240 V DC 12 /24 V

- -

- 2 tones -

16 tones - 43 tones

0 to 90 0 to 106 0 to 105

CE (UL, CSA, CCC and Gost in progress)

XVR 08	XVR 10	XVR 12	XVR 13	XVR 13L
84 mm	106 mm	120 mm	130 mm	

Pre-cabled

3 x M4 3 x M5 3 x M8 3 x M6

LED

IP23 (IP65) IP23 (IP55) IP23 IP 66 Resistant to vibration IP66 and IP67

Red

Orange

Green -

Blue -

-

AC/DC 12 /24 V DC 12/24 V AC/DC 24 V AC 120/230 V

Rotating

Up to 4 tones

-

- Up 70 to 90 -

CE (UL, CSA, CCC and Gost in progress)

Signalling solutions

Monolithic tower lights

Harmony type XVC



Presentation

The monolithic tower lights in the Harmony XVC range are designed for long distance indication of the operating states or sequences of a machine or installation, either visually by means of illuminated signalling units visible through 360°, or audibly by means of an adjustable buzzer or siren.

- The range includes small diameter products (40 and 60 mm) and larger diameter products (100 mm). It is therefore suitable for use in virtually all activity sectors :
 - XVC 4 (40 mm) tower lights are used mainly in the food-processing and medical sectors,
 - XVC 6 (60 mm) tower lights are used in semi-conductor factories, on conveyor belts and on small food or drink dispensing machines in the commercial sector,
 - XVC 1 (100 mm) tower lights are more particularly designed for industrial applications and machine-tools.

- The entire range provides an IP 54 degree of protection to allow outdoor as well as indoor use.

- The entire range provides an IP 54 degree of protection to allow outdoor as well as indoor use.

- XVC tower lights are supplied:

- with 1, 2, 3, 4, or 5 illuminated signalling units (up to 3 for XVC 1●●HK),
- with or without a buzzer or siren,
- pre-assembled and pre-wired,
- fitted with a support tube and bracket for mounting on a vertical support or 3 screws for direct mounting on a horizontal surface (depending on the model).

Illuminated signalling

Several lens unit colours are available from the catalogue:

- 5 colours for XVC 1●●K and XVC 1●●SK (red, orange, green, blue or clear),
- 3 colours for XVC 1●●HK (red, orange, green).

The colours are always placed in that order, from top to bottom.

The light source consists of "super-bright LEDs" which provide optimum luminosity.

Audible signalling

The tower light is supplied with or without an audible signalling unit (buzzer or siren) depending on the required configuration. This audible unit is located in the base of the tower light.

For products equipped with a buzzer, the type of signal (continuous or intermittent) can be reversed by modifying the cable connections (only for 60 and 100 mm units). For products equipped with a siren, it is possible to choose between 16 melodies, either by a switch or by 4 external digital outputs.

A potentiometer is also present in the base for adjusting the audible signalling volume, up to a value of:

- 85 decibels for XVC 1●●K and XVC 1●●SK (equipped with a buzzer),
- 102 decibels for XVC 1●●HK (equipped with a siren).

Cabling

XVC tower lights supplied pre-assembled are equipped with wires marked with a label indicating the correct way to connect. Each level is marked by a different coloured wire.

XVC tower lights that have been pre-assembled and pre-wired at the factory cannot be modified because the wires are permanently connected (soldered)

Description

XVC tower lights comprise an assembly of:

- 1 A cover.
- 2 One, two, three, four or five coloured illuminated signalling units (red, orange, green, blue or clear). Each illuminated unit is equipped with a LED ("super-bright LED").
- 3 A base mounted on the support tube 3A or a base fitted with 3 screws 3B for direct mounting on a horizontal surface.
A chromium plated-steel support tube mounted on a bracket, for mounting on a vertical support (depending on the model).
- 4 A vertical support (depending on the model).
- 5 Marked wires, with projecting length of 500 to 900 mm (depending on the model).

Environment characteristics						
			XVC 4B● XVC 4B●5S XVC 4B●K	XVC 6B● XVC 6B●5S XVC 6B●K XVC 6B●5SK	XVC 4M● XVC 4M●5S	XVC 6M● XVC 6M●5S XVC 6M●K XVC 6M●5SK
Product certifications			CE (UL, CSA, CCC and Gost in progress)			
Conformity to standards			EN/IEC 61000-6-2, EN/IEC 61000-6-3	EN/IEC 61000-6-2, EN/IEC 61000-6-3, EN/IEC 61000-6-4	EN/IEC 60947-1, EN/IEC 60947-5-1	
Protective treatment			"TC"			
Ambient air temperature	Storage	°C	- 35...+ 70			
	Operation	°C	- 10...+ 50			
Electric shock protection conforming to EN/IEC 61140	Mounted on support tube		Class I			
	Mounted on base		Class II		Class I	
Degree of protection conforming to EN/IEC 60529	Mounted on support tube		IP 54 (Flat surface installation) IP 23 (Vertical surface installation)			
	Mounted on base		IP 54 (Flat surface installation)			
Material	Top cover		PBT + ABS (UL94HB)		PBT + ABS (UL94V-0)	
	Illuminated lens unit		PC (polycarbonate)			
	Base		ABS or PBT + ABS			
	Support tube		SGP (chromium-plated)	STK (chromium-plated)	SGP (chromium-plated)	STK (chromium-plated)
	L mounting bracket		SPCC (Cr3 + chromium-plated)			
Light source			LED			

Electrical characteristics						
Rated voltage	V		≈ 24		~ 100 - 240	
Rated impulse withstand voltage	kV		0.8		4	
Consumption - at rated voltage (for XVC 4B● / XVC 6B●) - at ~ 100 V (for XVC 4M● / XVC 6M●)	Steady light	1 unit	mA	25	30	35
		2 units	mA	50	45	50
		3 units	mA	75	60	
		4 units	mA	100	75	
		5 units	mA	125	90	
	Steady/flashing light with buzzer	1 unit	mA	65	50	60
		2 units	mA	90	65	75
		3 units	mA	115	80	85
		4 units	mA	140	95	100
		5 units	mA	165	110	115
Audible units	Sound level (continuous or intermittent tone) at 1 m	dB	70...85			
	Fundamental frequency	kHz	2.23			
Flashing frequency of illuminated units	Hz		1			
Connection	Cable diameter	mm ²	Wire c.s.a. 0.33 mm ² / AWG 22 (1)		Wire c.s.a. 0.33 mm ² / AWG 22 (1) Wire c.s.a. 0.83 mm ² / SPT-1 AWG 18 (1)	
	Cable length	mm	600 for XVC 4B● 900 for XVC 4B●5S 500 for XVC 4B●K	600 for XVC 6B● 550 for XVC 6B●5S 850 for XVC 6B●K and XVC 6B●5SK	450	XVC 6M● : - 450 for signal - 550 for power - 550 for earth XVC 6M●5S : - 450 for signal - 450 for power - 450 for earth XVC 6M●K and XVC 6M●5SK : - 750 for signal - 850 for power - 850 for earth

(1) A.W.G. : American Wire Gauge.

Environment characteristics							
Type of tower light			XVC 1B●K XVC 1B●SK	XVC 1M●K XVC 1M●SK	XVC 1B●HK	XVC 1M●HK	
Product certifications			CE (UL, CSA, CCC and Gost in progress)				
Conformity to standards			EN/IEC 61000-6-2, EN/IEC 61000-6-3, EN/IEC 61000-6-4	EN/IEC 60947-1, EN/IEC 60947-5-1	EN/IEC 61000-6-2, EN/IEC 61000-6-3, EN/IEC 61000-6-4	EN/IEC 60947-1, EN/IEC 60947-5-1	
Protective treatment			"TC"				
Ambient air temperature	Storage	°C	- 35...+ 70		- 35...+ 70		
	Operation	°C	- 30...+ 50		- 20...+ 50		
Electric shock protection conforming to EN/IEC 61140	Mounted on support tube		-				
	Mounted on base		Class II	Class I	Class II	Class I	
Degree of protection conforming to EN/IEC 60529	Mounted on support tube		-				
	Mounted on base		IP 54 (Flat surface installation)				
Material	Top cover		PBT + ABS (UL94-V0)				
	Illuminated lens unit		PC (polycarbonate)				
	Base		PBT + ABS (UL94-V0)				
	Support tube		-				
	L mounting bracket		-				
Light source			LED				
Electrical characteristics							
Rated voltage			V	~ 24	~ 100 - 240	~ 24	~ 100 - 240
Rated impulse withstand voltage			kV	0.8	4	0.8	4
Consumption - at rated voltage (for XVC 1B●) - at ~ 100 V (for XVC 1M●)	Steady/flashing light	1 unit	mA	100	75	-	-
		2 units	mA	200	120	-	-
		3 units	mA	300	160	-	-
		4 units	mA	400	215	-	-
		5 units	mA	500	270	-	-
	Steady/flashing light with buzzer	1 unit	mA	150	85	460	235
		2 units	mA	250	130	550	280
		3 units	mA	350	170	660	320
		4 units	mA	450	230	-	-
		5 units	mA	550	280	-	-
Audible units	Sound level at 1 m	dB	60...85 (continuous or intermittent tone)		0...102		
Flashing frequency of illuminated units			Hz	0.7...3			
Connection	Cable diameter		Wire c.s.a.: 0.33 mm ² / AWG 22 (1) Wire c.s.a.: 0.83 mm ² / AWG 18 (1)				
	Cable length	mm	500				

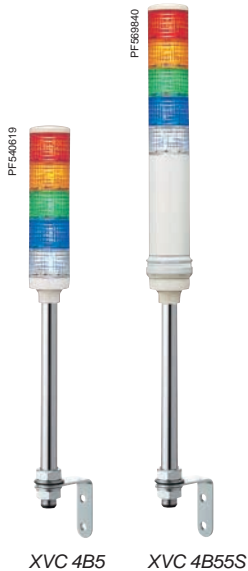
(1) AWG: American Wire Gauge.

Signalling solutions

Monolithic tower lights

Harmony type XVC

Tower lights Ø 40 mm



XVC 4B5

XVC 4B55S

Complete, pre-wired tower lights Ø 40 mm

Description	Light source (included)	Voltage V	Signalling colours (1)		Reference	Weight kg
			Steady	Flashing (2)		
For support tube mounting, 17 mm						
Without buzzer	LED for steady light only	≈ 24	R	–	XVC 4B1	0.500
			R, O	–	XVC 4B2	0.520
			R, O, G	–	XVC 4B3	0.540
			R, O, G, B	–	XVC 4B4	0.560
			R, O, G, B, C	–	XVC 4B5	0.580
		≈ 100-240	R	–	XVC 4M1	0.720
			R, O	–	XVC 4M2	0.750
			R, O, G	–	XVC 4M3	0.780
			R, O, G, B	–	XVC 4M4	0.810
			R, O, G, B, C	–	XVC 4M5	0.840
With buzzer + flashing light	LED for steady or flashing light	≈ 24	R	R	XVC 4B15S	0.600
			R, O	R, O	XVC 4B25S	0.620
			R, O, G	R, O, G	XVC 4B35S	0.640
			R, O, G, B	R, O, G, B	XVC 4B45S	0.660
			R, O, G, B, C	R, O, G, B, C	XVC 4B55S	0.680
		≈ 100-240	R	R	XVC 4M15S	0.740
			R, O	R, O	XVC 4M25S	0.770
			R, O, G	R, O, G	XVC 4M35S	0.800
			R, O, G, B	R, O, G, B	XVC 4M45S	0.830
			R, O, G, B, C	R, O, G, B, C	XVC 4M55S	0.860

For base mounting

Without buzzer	LED for steady light only	≈ 24	R	–	XVC 4B1K	0.100
			R, O	–	XVC 4B2K	0.120
			R, O, G	–	XVC 4B3K	0.140
			R, O, G, B	–	XVC 4B4K	0.160
			R, O, G, B, C	–	XVC 4B5K	0.180

Accessories for support tube mounting

Description	Diameter mm	Minimum height to be added mm	Reference	Weight kg
Metal fixing plate	90	32	XVC Z11	0.100
Plastic fixing plate	84	24.5	XVC Z01	0.060
Wall mounting bracket	–	82	XVC Z31	0.130



XVC Z11

(1) Signalling colours: R: Red, O: Orange, G: Green, B: Blue, C: Clear. The colours are listed in the same order as the mounting order of the illuminated units (from top to bottom).

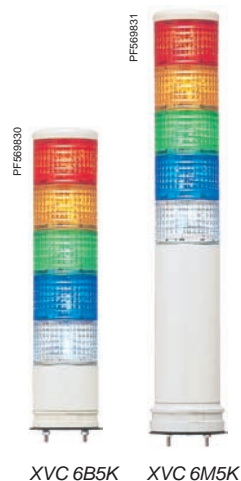
(2) Flashing function can be simply selected/programmed by wiring.

Signalling solutions

Monolithic tower lights

Harmony type XVC

Tower lights Ø 60 mm



Complete, pre-wired tower lights Ø 60 mm

Description	Light source (included)	Voltage V	Signalling colours (1)		Reference	Weight kg
			Steady	Flashing (2)		
For support tube mounting, 22 mm						
Without buzzer	LED for steady light only	≈ 24	R	–	XVC 6B1	0.700
			R, O	–	XVC 6B2	0.740
			R, O, G	–	XVC 6B3	0.780
			R, O, G, B	–	XVC 6B4	0.820
			R, O, G, B, C	–	XVC 6B5	0.860
		~ 100-240	R	–	XVC 6M1	0.960
			R, O	–	XVC 6M2	1.020
			R, O, G	–	XVC 6M3	1.070
			R, O, G, B	–	XVC 6M4	1.120
			R, O, G, B, C	–	XVC 6M5	1.180
With buzzer + flashing light	LED for steady or flashing light	≈ 24	R	R	XVC 6B15S	0.900
			R, O	R, O	XVC 6B25S	0.940
			R, O, G	R, O, G	XVC 6B35S	0.980
			R, O, G, B	R, O, G, B	XVC 6B45S	1.020
			R, O, G, B, C	R, O, G, B, C	XVC 6B55S	1.060
		~ 100-240	R	R	XVC 6M15S	1.010
			R, O	R, O	XVC 6M25S	1.070
			R, O, G	R, O, G	XVC 6M35S	1.120
			R, O, G, B	R, O, G, B	XVC 6M45S	1.170
			R, O, G, B, C	R, O, G, B, C	XVC 6M55S	1.230
For base mounting						
Without buzzer	LED for steady light only	≈ 24	R	–	XVC 6B1K	0.200
			R, O	–	XVC 6B2K	0.250
			R, O, G	–	XVC 6B3K	0.300
			R, O, G, B	–	XVC 6B4K	0.350
			R, O, G, B, C	–	XVC 6B5K	0.400
		~ 100-240	R	–	XVC 6M1K	0.440
			R, O	–	XVC 6M2K	0.500
			R, O, G	–	XVC 6M3K	0.550
			R, O, G, B	–	XVC 6M4K	0.600
			R, O, G, B, C	–	XVC 6M5K	0.660
With buzzer + flashing light	LED for steady or flashing light	≈ 24	R	R	XVC 6B15SK	0.200
			R, O	R, O	XVC 6B25SK	0.250
			R, O, G	R, O, G	XVC 6B35SK	0.300
			R, O, G, B	R, O, G, B	XVC 6B45SK	0.350
			R, O, G, B, C	R, O, G, B, C	XVC 6B55SK	0.400
		~ 100-240	R	R	XVC 6M15SK	0.490
			R, O	R, O	XVC 6M25SK	0.550
			R, O, G	R, O, G	XVC 6M35SK	0.600
			R, O, G, B	R, O, G, B	XVC 6M45SK	0.650
			R, O, G, B, C	R, O, G, B, C	XVC 6M55SK	0.710

Accessories for support tube mounting and base mounting

Description	For use with	Diameter mm	Minimum height to be added (mm)	Reference	Weight kg
Metal fixing plate for support-tube mounting	XVC 6●● and XVC 6●●5S	100	30	XVC Z02	0.080
Metal fixing plate for base mounting	XVC 6●● K and XVC 6●●5SK	84	21.6	XVC Z12	0.100
Wall mounting bracket for support-tube mounting	XVC 6B● and XVC 6B●5S XVC 6M● and XVC 6M●5S	–	82	XVC Z32	0.130

(1) Signalling colours: R: Red, O: Orange, G: Green, B: Blue, C: Clear. The colours are listed in the same order as the mounting order of the illuminated units (from top to bottom).

(2) Flashing function can be simply selected/programmed by wiring.

Signalling solutions

Monolithic tower lights

Harmony type XVC

Tower lights Ø 100 mm



XVC 1●5K
XVC 1●5SK

XVC 1●3HK

Complete, pre-wired tower lights Ø 100 mm

Description	Light source (included)	Voltage V	Signalling colours (1)		Reference	Weight kg	
			Steady	Flashing (2)			
For base mounting							
Without buzzer With flashing light	LED for steady or flashing light	~ 24	R	R	XVC 1B1K	0.700	
			R, O	R, O	XVC 1B2K	0.900	
			R, O, G	R, O, G	XVC 1B3K	1.100	
			R, O, G, B	R, O, G, B	XVC 1B4K	1.300	
			R, O, G, B, C	R, O, G, B, C	XVC 1B5K	1.500	
			~ 100-240	R	R	XVC 1M1K	1.000
			R, O	R, O	XVC 1M2K	1.200	
			R, O, G	R, O, G	XVC 1M3K	1.400	
			R, O, G, B	R, O, G, B	XVC 1M4K	1.600	
			R, O, G, B, C	R, O, G, B, C	XVC 1M5K	1.800	
With buzzer + flashing light	LED for steady or flashing light	~ 24	R	R	XVC 1B1SK	0.700	
			R, O	R, O	XVC 1B2SK	0.900	
			R, O, G	R, O, G	XVC 1B3SK	1.100	
			R, O, G, B	R, O, G, B	XVC 1B4SK	1.300	
			R, O, G, B, C	R, O, G, B, C	XVC 1B5SK	1.500	
			~ 100-240	R	R	XVC 1M1SK	1.050
			R, O	R, O	XVC 1M2SK	1.250	
			R, O, G	R, O, G	XVC 1M3SK	1.450	
			R, O, G, B	R, O, G, B	XVC 1M4SK	1.650	
			R, O, G, B, C	R, O, G, B, C	XVC 1M5SK	1.850	
With siren + flashing light	LED for steady or flashing light	~ 24	R	R	XVC 1B1HK	1.580	
			R, O	R, O	XVC 1B2HK	1.780	
			R, O, G	R, O, G	XVC 1B3HK	1.980	
			~ 100-240	R	R	XVC 1M1HK	1.680
			R, O	R, O	XVC 1M2HK	1.880	
			R, O, G	R, O, G	XVC 1M3HK	2.080	

Accessories for mounting on vertical support

Description	For use with	Diameter mm	Height mm	Reference	Weight kg
Chromium plated-steel extension tube with metal fixing plate	XVC 1●●K and XVC 1●●SK	140	300	XVC Z13	0.700
	XVC 1●●HK (with siren)	140	306	XVC Z14	0.700
Metal fixing bracket	XVC 1●●K and XVC 1●●SK	-	-	XVC Z23	0.380
	XVC 1●●HK (with siren)	-	-	XVC Z24	0.380



XVC Z13

(1) Signalling colours: R: Red, O: Orange, G: Green, B: Blue, C: Clear. The colours are listed in the same order as the mounting order of the illuminated units (from top to bottom).

(2) Flashing function can be simply selected/programmed by wiring.

Signalling solutions

Monolithic tower lights

Harmony type XVC

Tower lights Ø 40 mm

Pre-assembled and pre-wired tower lights

With support tube mounting

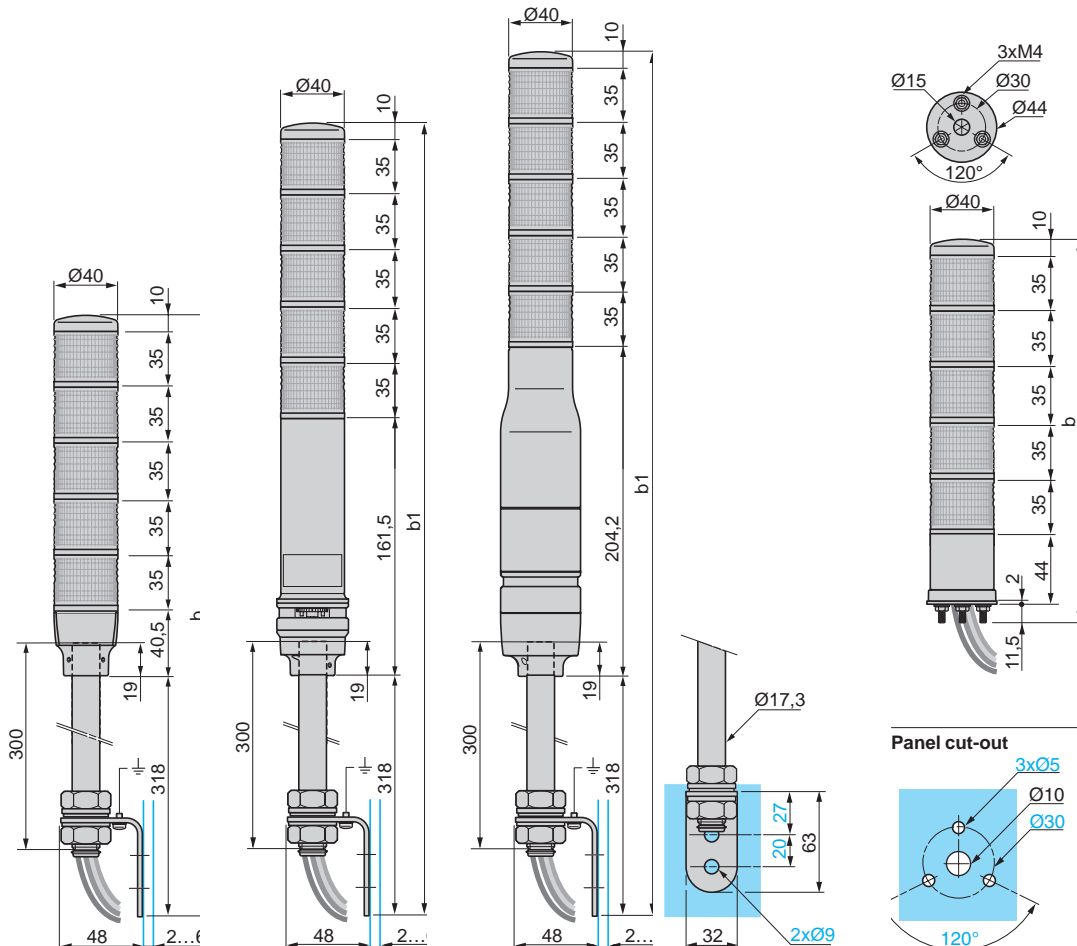
XVC 4B●

XVC 4B●5S

XVC 4M●, XVC 4M●5S

For direct mounting on horizontal support

XVC 4B●K



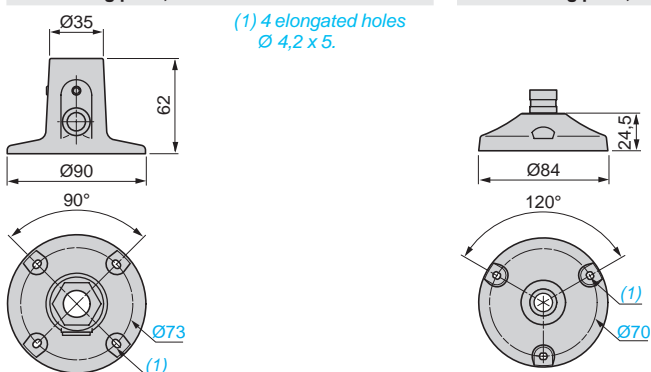
Height of pre-assembled and pre-wired tower lights

No. of illuminated units	b Without buzzer (mm)	b1 With buzzer (mm)		No. of illuminated units	b Without buzzer (mm)
		XVC 4B●5S	XVC 4M●, XVC 4M●5S		
1 stage	403.5	524.5	567.2	1 stage	100.5
2 stages	438.5	559.5	602.2	2 stages	135.5
3 stages	473.5	594.5	637.2	3 stages	170.5
4 stages	508.5	629.5	672.2	4 stages	205.5
5 stages	543.5	664.5	707.2	5 stages	240.5

Accessories for tower lights type XVC 4●● and XVC 4●●5S

Metal fixing plate, XVC Z11

Plastic fixing plate, XVC Z01



Presentation, description: page 6

Characteristics: page 7

References: page 9

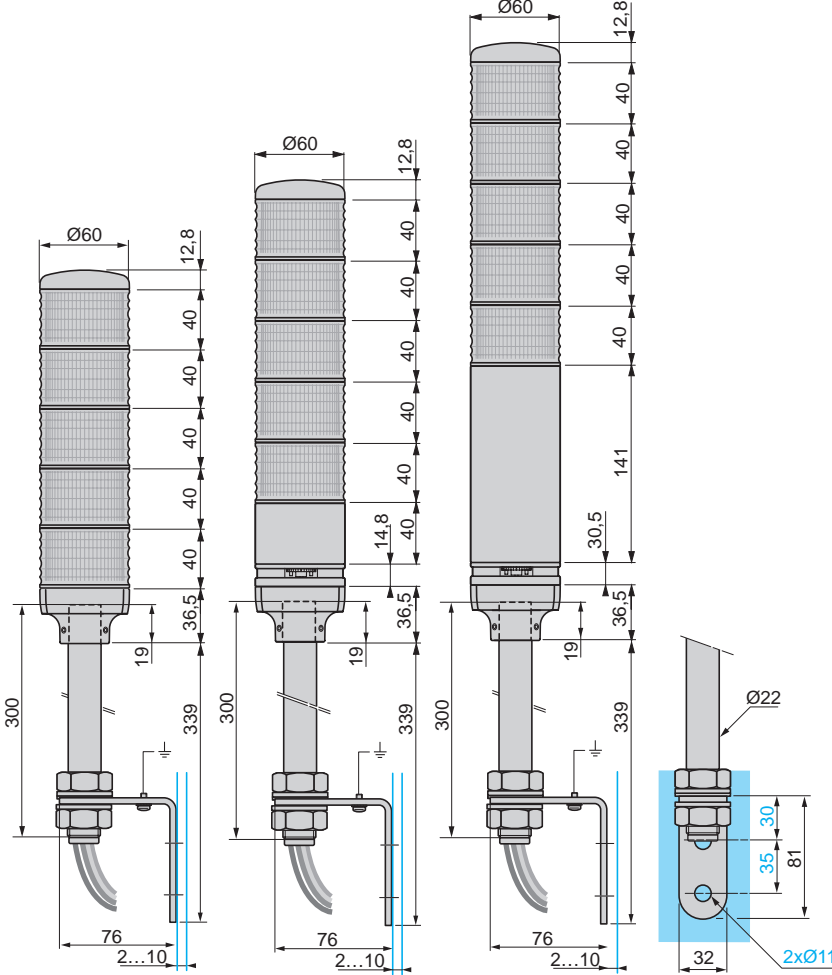
Pre-assembled and pre-wired tower lights

With support tube mounting

XVC 6B●

XVC 6B●5S

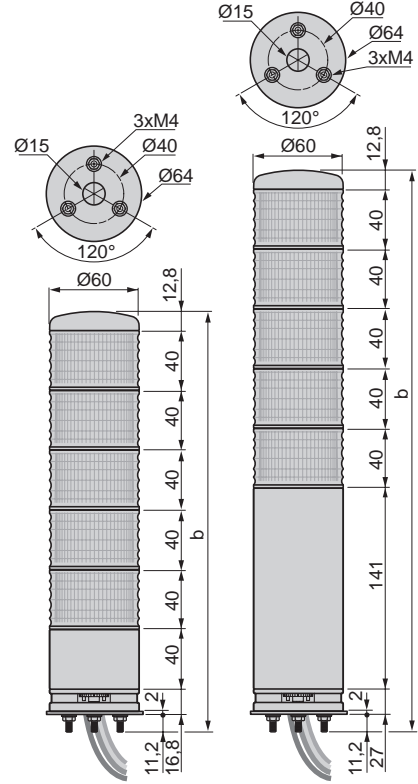
XVC 6M●, XVC 6M●5S



For mounting on horizontal support (direct or with fixing plate)

XVC 6B●K, 6B●5SK

XVC 6M●K, XVC 6M●5SK



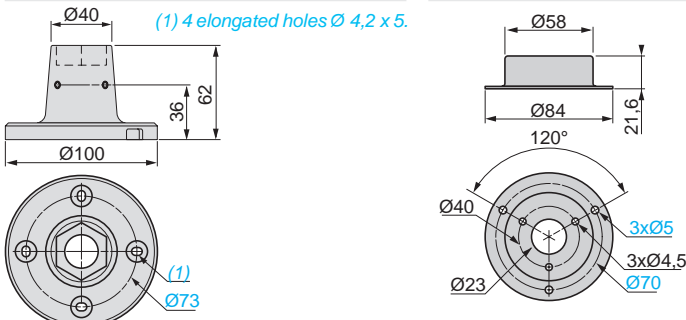
Height of pre-assembled and pre-wired tower lights

No. of illuminated units	b Without buzzer (mm)	b1 With buzzer (mm)		No. of illuminated units	b With or without buzzer (mm)	
		XVC 6B●5S	XVC 6M●, XVC 6M●5S		XVC 6B●K, XVC 6B●5SK	XVC 6M●K, XVC 6M●5SK
1 stage	428.3	483.1	599.8	1 stage	120.8	232
2 stages	468.3	523.1	639.8	2 stages	160.8	272
3 stages	508.3	563.1	679.8	3 stages	200.8	312
4 stages	548.3	603.1	719.8	4 stages	240.8	352
5 stages	588.3	643.1	759.8	5 stages	280.8	392

Accessories for mounting on horizontal support

Fixing plate XVC Z02 for XVC 6●● / 6●●5S

Fixing plate XVC Z12 for XVC 6●●K / 6●●5SK



Presentation, description: page 6

Characteristics: page 7

References: page 9

Signalling solutions

Monolithic tower lights

Harmony type XVC

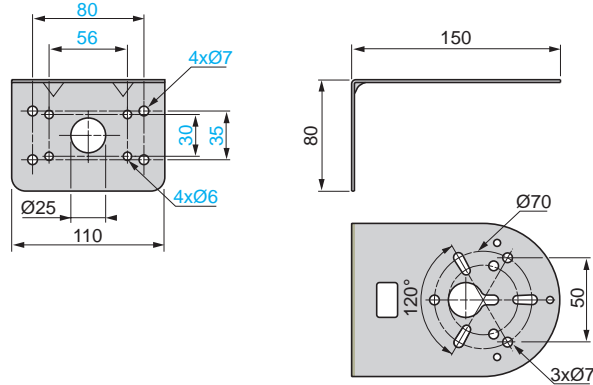
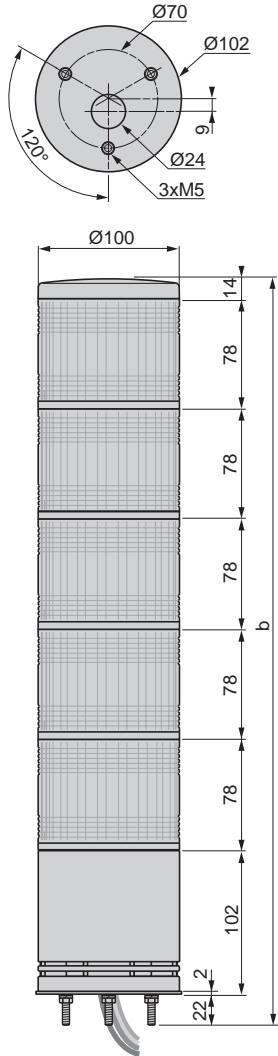
Tower lights Ø 100 mm

Pre-assembled and pre-wired tower lights

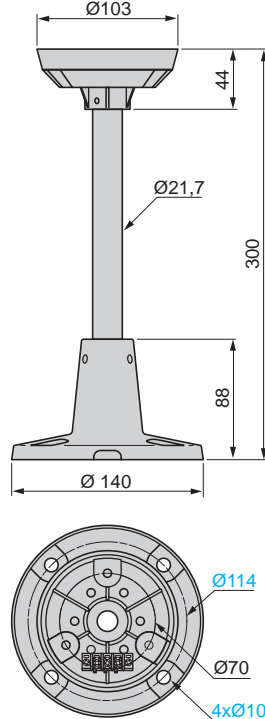
For mounting on horizontal support (direct or with fixing plate)

XVC 1●●K, XVC 1●●SK tower lights

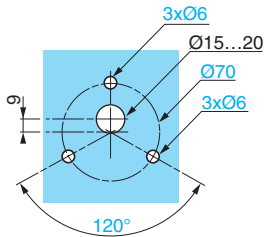
XVC Z23 fixing plate



XVC Z13 fixing plate



Panel cut-out



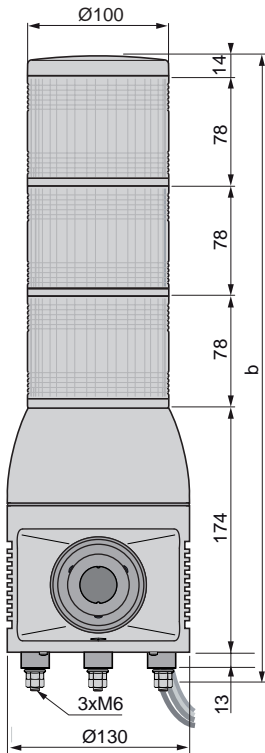
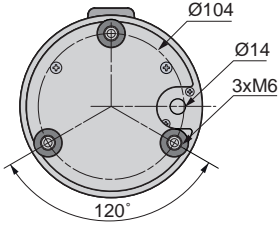
Height of pre-assembled and pre-wired tower lights

No. of illuminated units	b (mm)
1	216
2	294
3	372
4	450
5	528

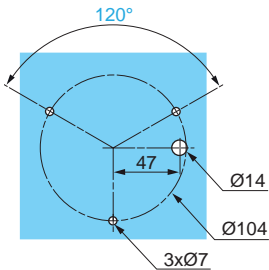
Pre-assembled and pre-wired tower lights with siren

For mounting on horizontal support (direct or with fixing plate)

XVC 1●●HK tower lights



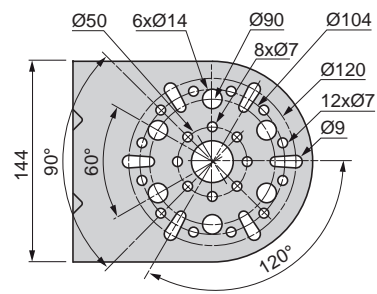
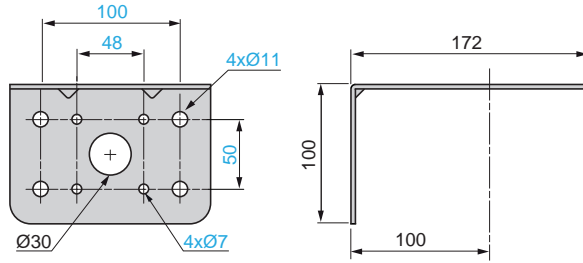
Panel cut-out



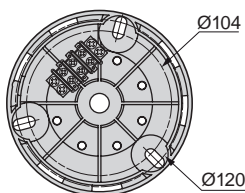
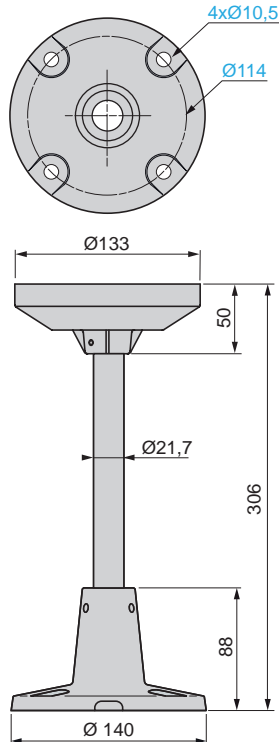
Height of pre-assembled and pre-wired tower lights

No. of illuminated units	b (mm)
1	293
2	371
3	449

XVC Z24 fixing plate



XVC Z14 fixing plate



Presentation

The rotating beacons in the Harmony XVR range are optical signalling units designed for long distance signalling applications.

They are used mainly in the iron and steel industry, on industrial handling vehicles or for safety applications.

Environment characteristics

Rotating beacons type		XVR 08	XVR 10	XVR 12	XVR 13B●●●	XVR 13●●●L
Product certifications		CE (UL, CSA and Gost in progress)				
Conforming to standards		EN/IEC 61000-6-2 , EN/IEC 61000-6-4				EN/IEC 60947-1, EN/IEC 60947-5-1
Protective treatment		"TC"				
Ambient air temperature	For storage	°C	- 35...+ 70			
	For operation	°C	- 10...+ 50		- 30...+ 50	
Electric shock protection conforming to IEC 61140		Class II				
Degree of protection conforming to IEC 60529		IP 23 (IP 65 with accessory)	IP 23 (IP 55 with accessory)	IP 23	IP 66 (resistant to vibration)	IP 66 and IP 67
Material	Domed lens unit	PC				
	Base	ABS				
Light source		Super-bright LED				

Electrical characteristics

Rotating beacons type		XVR 08J XVR 10J XVR 12J XVR 12J●●S	XVR 08B XVR 10B XVR 12B XVR 12B●●S XVR 13B●●L	XVR 13J	XVR 13B	XVR 13G●●L	XVR 13M●●L
Voltage		V	≈ 12	≈ 24	≈ 12	≈ 24	~ 120 ~ 230
Rated impulse withstand voltage		kV	0.8			4	
Consumption	Without buzzer	W	3			5	
	With buzzer (for XVR 12●●●S)	W	4	4.7	-		
Audible units with continuous or intermittent tone (short/long or high/low)	For XVR 12●●●S Sound level at 1 m	dB	50...90				
Flashing frequency of illuminated units		Hz	2.3 2.7 for XVR 13				
Connection	Wire c.s.a	mm ²	0.83 mm ² / SPT-1 AWG 18 (1) for XVR 08●, XVR 10● and XVR 12● 0.83 mm ² / UL1007 AWG 18 (1) for XVR 12●●●S 1.25 mm ² / VCT for XVR 13				
	Cable length	mm	400 500 for XVR 08●				

(1) AWG: American Wire Gauge.

525974



XVR 08●●●

525975



XVR 10●●●

525977



XVR 13●●●

PF540659



XVR 13●●●L

Complete, pre-wired rotating mirrors

Diameter mm	Sound option	IP degree of protection	Voltage V	Colour	Reference	Weight kg		
Ø 84	Without buzzer	IP 23 (IP 65 With accessories)	~ 12	Red	XVR 08J04	0.300		
				Orange	XVR 08J05	0.300		
				Green	XVR 08J03	0.300		
			~ 24	Blue	XVR 08J06	0.300		
				Red	XVR 08B04	0.300		
				Orange	XVR 08B05	0.300		
		Green			XVR 08B03	0.300		
					Blue	XVR 08B06	0.300	
		Ø 106	Without buzzer	IP 23 (IP 55 With accessories)	~ 12	Red	XVR 10J04	0.500
						Orange	XVR 10J05	0.500
						Green	XVR 10J03	0.500
~ 24	Blue				XVR 10J06	0.500		
	Red				XVR 10B04	0.500		
	Orange				XVR 10B05	0.500		
	Green				XVR 10B03	0.500		
					Blue	XVR 10B06	0.500	
	Ø 120		Without buzzer	IP 23	~ 12	Red	XVR 12J04	0.500
						Orange	XVR 12J05	0.500
						Green	XVR 12J03	0.500
~ 24		Blue			XVR 12J06	0.500		
		Red			XVR 12B04	0.500		
		Orange			XVR 12B05	0.500		
		Green			XVR 12B03	0.500		
					Blue	XVR 12B06	0.500	
		Ø 120	With buzzer	IP 23	~ 12	Red	XVR 12J04S	0.500
						Orange	XVR 12J05S	0.500
						Green	XVR 12J03S	0.500
~ 24	Blue				XVR 12J06S	0.500		
	Red				XVR 12B04S	0.500		
	Orange				XVR 12B05S	0.500		
	Green				XVR 12B03S	0.500		
					Blue	XVR 12B06S	0.500	
	Ø 130		Without buzzer	IP 66 Resistant to vibration	~ 12	Red	XVR 13J04	0.800
						Orange	XVR 13J05	0.800
					~ 24	Red	XVR 13B04	0.800
Orange		XVR 13B05		0.800				
		IP 66 and IP 67		~ 24	Red	XVR 13B04L	0.820	
					Orange	XVR 13B05L	0.820	
			~ 120	Red	XVR 13G04L	0.990		
		Orange		XVR 13G05L	0.990			
		~ 230		Red	XVR 13M04L	0.990		
			Orange	XVR 13M05L	0.990			

Accessories for rotating mirrors

Description	To be used for / with	Diameter mm	Height mm	Reference	Weight kg
Reflecting prism	-	84	-	XVR ZR1	0.010
		106	-	XVR ZR2	0.015
		120/130	-	XVR ZR3	0.020
Rubber base	Increasing the IP degree	84	-	XVR Z081	0.040
		106	-	XVR Z082	0.050
Metal angle bracket	Horizontal support	84, 106, 120	-	XVC Z23	0.380
		130	-	XVR 012L	1.300
Metal fixing plate	Horizontal support	106, 120	300	XVC Z13	0.700

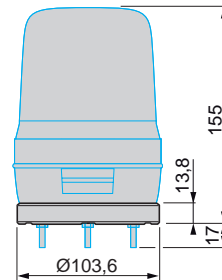
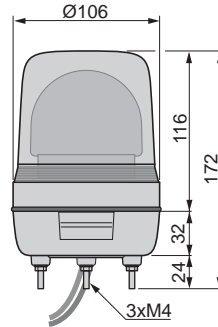
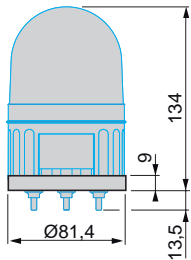
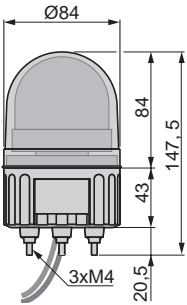
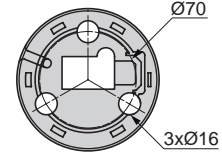
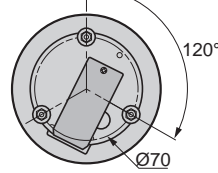
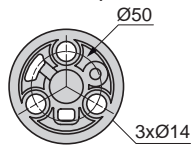
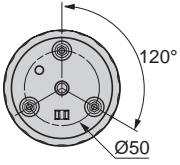
Complete, pre-wired rotating mirrors

XVR 08●0●

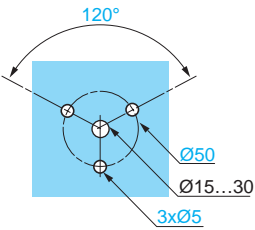
XVR Z081 (rubber base-optional part)

XVR 10●0●

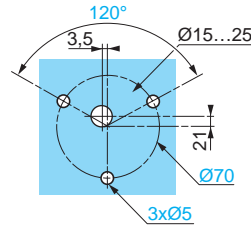
XVR Z082 (rubber base-optional part)



Panel cut-out

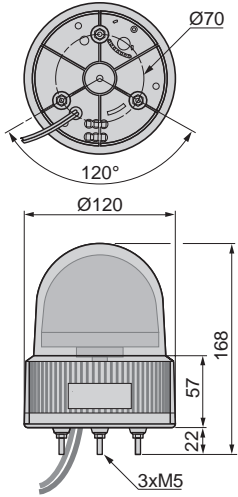


Panel cut-out

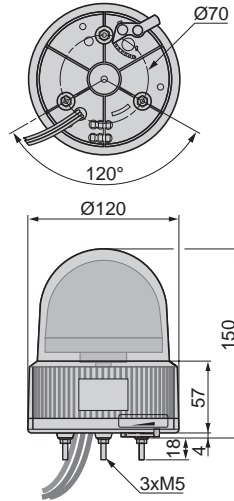


Complete, pre-wired rotating mirrors (continued)

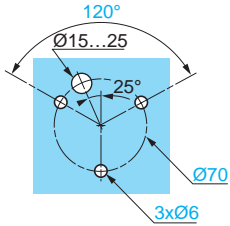
XVR 12●0●



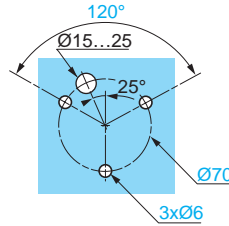
XVR 12●0●S



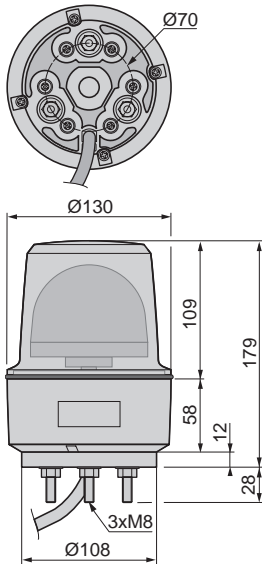
Panel cut-out



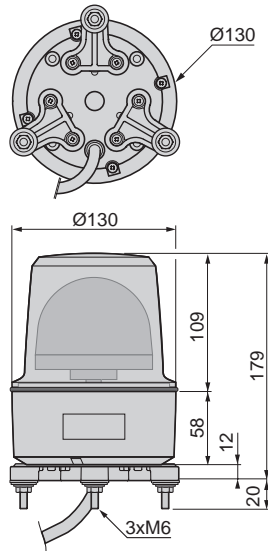
Panel cut-out



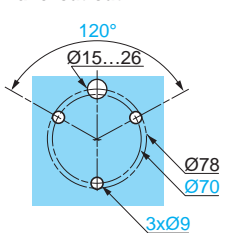
XVR 13●0●



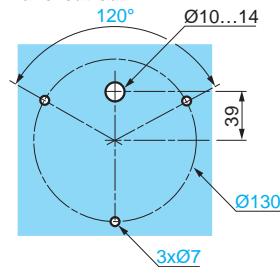
XVR 13●0●L



Panel cut-out



Panel cut-out



Presentation

Harmony XVS sirens and electronic alarms are audible signalling units used for long distance indication of the operating status or sequences of a machine or installation.

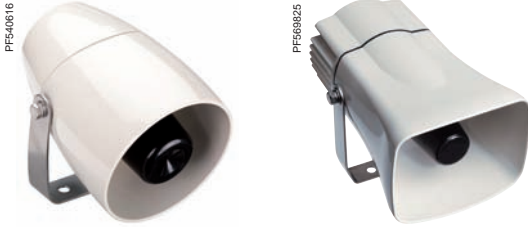
They are mainly used on conveyor belts, on automated industrial trucks and on the doors of electrical control panels.

Characteristics

Type of siren or alarm		XVS 10BMW	XVS 10GMW 10MMW	XVS 14BMW	XVS 14GMW 14MMW	XVS 72BM●●	XVS 96BM●●	
Environment characteristics								
Product certifications		CE (UL, CSA and Gost in progress)						
Conforming to standards		EN/IEC 60947-1, EN/IEC 60947-5-1		EN/IEC 61000-6-2, EN/IEC 61000-6-3	EN/IEC 60947-1, EN/IEC 60947-5-1	EN/IEC 61000-6-2, EN/IEC 61000-6-3	EN/IEC 60947-1, EN/IEC 60947-5-1	
Protective treatment		"TC"						
Ambient air temperature	Storage	°C	- 35...+ 70					
	Operation	°C	- 30...+ 50	- 10...+ 50		- 20...+ 50		
Electric shock protection conforming to EN/IEC 61140		Class II						
Degree of protection conforming to EN/IEC 60529		IP 53				IP 54		
Material	Terminal cover	-				PC		
	Base	PC		PC/ABS		ABS	PC or ABS	
Sound	Number of options (tones)	2		43		16		
Electrical characteristics								
Voltage		V	≈ 12-24	~ 120 ~ 230	≡ 12/24	~ 120 ~ 240	≈ 12/24	
Rated impulse withstand voltage			0.8	4	0.8	4	0.8	
Consumption			≈ 12 V: 500 mA ≈ 24 V: 300 mA	~ 120 V: 80 mA ~ 230 V: 40 mA	≡ 12 V: 250 mA ≡ 24 V: 350 mA	~ 120 V: 100 mA ~ 240 V: 50 mA	≈ 12 V: 1.9 / 1.4 W ≈ 24 V: 4.8 / 3 W	≈ 12 V: 3.5 / 3 W ≈ 24 V: 8.5 / 7 W
Audible units	Sound level (continuous or intermittent tone) at 1 m	dB	106		0...105		0...90	0...96
Cabling	Cable diameter		Cable-gland for using 6.5 to 8.5 mm cables		Power wire c.s.a.: 0.52 mm ² / AWG 20 (1) Signal wire c.s.a.: 0.33 mm ² / AWG 22 (1)		-	
	Maximum clamping capacity	mm ²	1 x 1.5		-		1 x 1.5	
	Cable length	mm	-		500		-	

(1) AWG: American Wire Gauge.

References

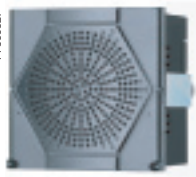


XVS 10●M

XVS 14●MW



XVS 72BM●●

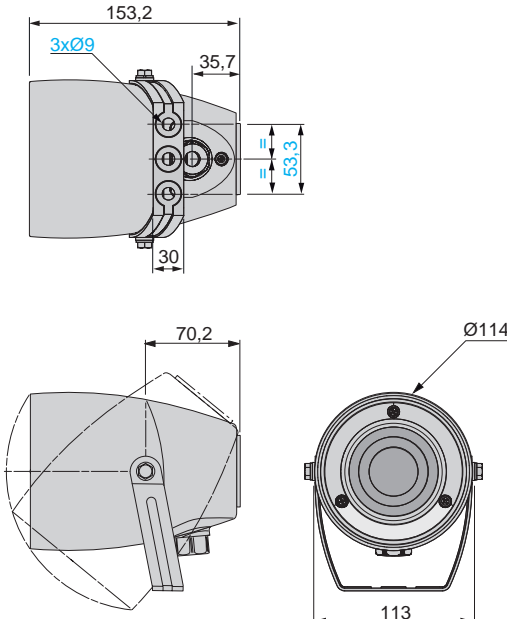


XVS 96BM●●

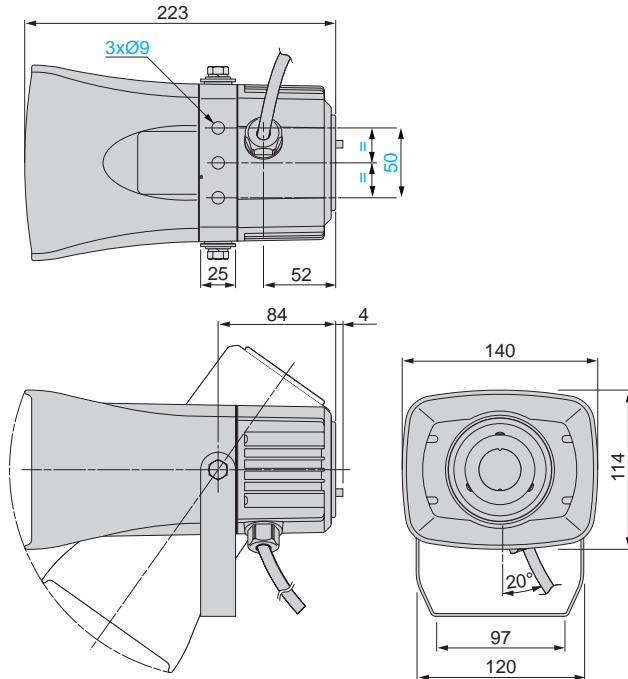
Description	Voltage V	Colour	Reference	Weight kg
Sirens 106 dB, 2 tones	~ 12-24	White	XVS 10BMW	0.800
	~ 120	White	XVS 10GMW	1.000
	~ 230	White	XVS 10MMW	1.000
Multisound siren 105 dB, 43 tones 8 channels Pre-wired	~ 12/24	White	XVS 14BMW	1.000
	~ 120	White	XVS 14GMW	1.200
	~ 240	White	XVS 14MMW	1.200
Electronic alarms 90 dB, 16 tones Panel Mount DIN72 4 channels	~ 12/24	PNP, Black	XVS 72BMBP	0.180
		PNP, White	XVS 72BMWP	0.180
		NPN, Black	XVS 72BMBN	0.180
		NPN, White	XVS 72BMWN	0.180
Electronic alarms 96 dB, 16 tones Panel Mount DIN96 4 channels	~ 12/24	PNP, Black	XVS 96BMBP	0.400
		PNP, White	XVS 96BMWP	0.400
		NPN, Black	XVS 96BMBN	0.400
		NPN, White	XVS 96BMWN	0.400

Dimensions

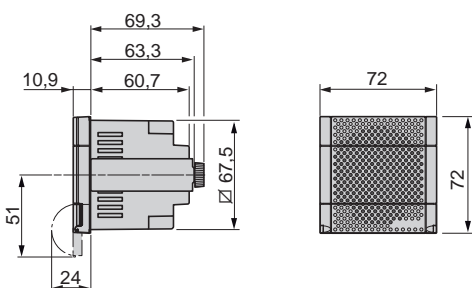
XVS 10●M



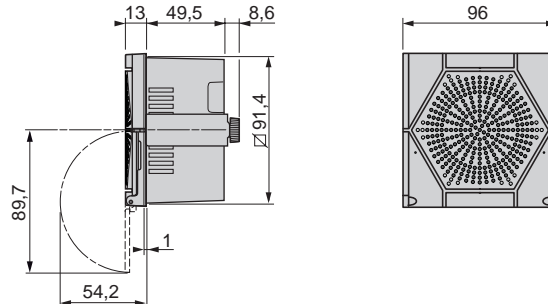
XVS 14●MW



XVS 72BM●●



XVS 96BM●●



Schneider Electric Industries SAS

www.schneider-electric.com

Head Office
89, bd Franklin Roosevelt
92506 Rueil-Malmaison Cedex
France

The information provided in this documentation contains general descriptions and/or technical characteristics of the performance of the products contained herein. This documentation is not intended as a substitute for and is not to be used for determining suitability or reliability of these products for specific user applications. It is the duty of any such user or integrator to perform the appropriate and complete risk analysis, evaluation and testing of the products with respect to the relevant specific application or use thereof. Neither Schneider Electric nor any of its affiliates or subsidiaries shall be responsible or liable for misuse of the information contained herein.

Design: Schneider Electric
Photos: Schneider Electric
Printed by: