

Selection guide page 4/2

Beacons and indicator banks, Ø 45 mm Optimum

- Beacons, Harmony type XVD LS, miniature page 4/5
- Beacons and indicator banks, Harmony type XVM
 - Pre-assembled and pre-cabled beacons and indicator banks page 4/9
 - Customer assembled beacons and indicator banks, accessories ... page 4/13

Indicator banks Ø 50 mm Universal, Harmony type XVP C

- Indicator banks for customer assembly, up to 5 units
 - Illuminated units for BA 15d bulb or LED page 4/19
 - Illuminated “flash” units with discharge tube, audible units page 4/20
 - Base units, covers and accessories page 4/21

Beacons and indicator banks Ø 70 mm Optimum, Harmony type XVE

- Complete beacons page 4/27
- Indicator banks for customer assembly page 4/28
- Separate components for beacons and indicator banks page 4/29

Beacons and indicator banks Ø 70 mm Universal, Harmony type XVB

- Complete beacons, type XVB L
 - For incandescent bulbs or LEDs (BA 15d base fitting) page 4/36
 - With LED light source page 4/37
 - With “flash” discharge tube page 4/38
- Indicator banks, type XVB C (for customer assembly, up to 5 units)
 - Illuminated units for incandescent bulbs or LEDs (BA 15d base fitting) page 4/39
 - Illuminated units with integral LED page 4/40
 - Illuminated units with integral “flash” discharge tube page 4/41
 - Audible units, base units, cover, accessories page 4/42
- Accessories for beacons and indicator banks type XVB page 4/43

Beacons and indicator banks Ø 70 mm Application, Harmony type XVD

- Complete pre-cabled beacons and indicator banks page 4/49
- Beacons for customer assembly page 4/50
- Indicator banks, type XVD C (for customer assembly, up to 5 units)
 - Illuminated units page 4/51
 - Audible units, base units, accessories page 4/52
- Accessories for beacons and indicator banks page 4/53

Rotating mirror beacons and sirens

- Rotating mirror beacons, Harmony type XVR page 4/57
- Sirens, Harmony type XVS page 4/59



4

Harmony type XV

Optimum



Type of products	Pilot lights	Miniature beacons	Beacons and indicator banks	
Diameter (mm)	Ø 25	Ø 45	Ø 45	Ø 70
Features	Complete pre-cabled products, height 55 mm	Complete products	Complete pre-cabled products or products for customer assembly	Products for customer assembly
Description of the range	–	Illuminated beacons - steady light, - with "flash" discharge tube	Illuminated beacons - steady light, - flashing light, - with "flash" discharge tube	
	–	–	Variable composition indicator banks for customer assembly of up to 5 units: - illuminated units with steady light, flashing light or "flash" discharge tube signalling, - audible unit	
Light sources	Incandescent bulb	■	■	■
	LED bulb	–	–	–
	Integral LED	–	–	■
	"Flash" discharge tube	–	■	■
	Halogen bulb	–	–	–
Degree of protection conforming to IEC 60529	IP 40	IP 40	IP 42 mounted vertically, IP 40 for other positions	IP 42 mounted vertically, IP 40 for other positions. IP 54 with reinforced protection (using sealing kit)
Colours of illuminated units	<input type="checkbox"/> Green <input type="checkbox"/> Red <input type="checkbox"/> Clear <input type="checkbox"/> Yellow	<input type="checkbox"/> Green <input type="checkbox"/> Red <input type="checkbox"/> Orange <input type="checkbox"/> Blue <input type="checkbox"/> Clear <input type="checkbox"/> Yellow	<input type="checkbox"/> Red <input type="checkbox"/> Green <input type="checkbox"/> Orange <input type="checkbox"/> Blue <input type="checkbox"/> Clear	<input type="checkbox"/> Green <input type="checkbox"/> Red <input type="checkbox"/> Orange <input type="checkbox"/> Blue <input type="checkbox"/> Clear
Connection	Flying leads, length 360 mm	Screw clamp terminals	Flying leads, length 300 mm or screw terminals	Screw clamp terminals
Support panel drilling or cut-out	Ø 22 or Ø 30	3 x Ø 3.3 or M3	Mounted on bracket: 2 x Ø 9 Mounting on support tube: 4 x Ø 5,5 or M5	Mounting on support tube: 4 x Ø 5,5 or M5 Vertical mounting: 3 x Ø 5 or M5
Type references	XV1 CA	XVD LS	XVM	XVE L, XVE C

Page(s)	Please consult your Regional Sales Office	4/5	4/9	4/27
----------------	---	-----	-----	------

Universal	Application
-----------	-------------



СНЯТО С ПРОИЗВОДСТВА

4

Indicator banks		Beacons and indicator banks		
Ø 50	Ø 70	Ø 70	Ø 165	Ø 92
Products for customer assembly	Products for customer assembly	Complete pre-cabled products or products for customer assembly	Complete products	
–	Illuminated beacons - steady light, - flashing light, - with "flash" discharge tube		Rotating mirror beacon - with halogen bulb, - with incandescent bulb	Power - 106 dB, single tone, - 106 dB, 2 tone
Variable composition indicator banks for customer assembly of up to 5 units: - illuminated units with steady light, flashing light or "flash" discharge tube signalling - audible unit			–	–
■	■	■	■	–
■ "PROTECTED LED"	■ "PROTECTED LED"	■ "PROTECTED LED"	–	–
–	■ "PROTECTED LED"	–	–	–
■	■	■	–	–
–	–	–	■	–
IP 65 for illuminated units IP 43 for audible units	IP 65 (mounted on fixing base XVB Z0●) IP 66 (mounted on base unit)	IP 40	IP 65	IP 40
<input type="checkbox"/> Green <input type="checkbox"/> Red <input type="checkbox"/> Orange <input type="checkbox"/> Blue <input type="checkbox"/> Clear <input type="checkbox"/> Yellow			<input type="checkbox"/> Green <input type="checkbox"/> Red <input type="checkbox"/> Orange <input type="checkbox"/> Blue <input type="checkbox"/> Yellow	–
Screw clamp terminals			Push-on connectors	Screw terminals
Mounted on bracket: 2 x Ø 9 Mounting on support tube: 4 x Ø 5,5 or M5 Vertical mounting: 2 x Ø 4,5 Direct mounting: 4 x Ø 4,2	Mounting on support tube: 4 x Ø 5,5 or M5 Vertical mounting: 3 x Ø 5 Direct mounting: 2 x Ø 4,5 or M4		3 x Ø 6.5	
XVP C	XVB L, XVB C	XVD	XVR	XVS
4/19	4/36	4/49	4/57	4/59

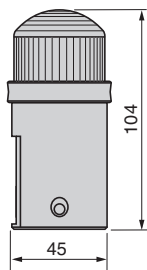
Presentation

Miniature illuminated beacons XVD LS are suitable for installation on small machines for short distance signalling of the process status.

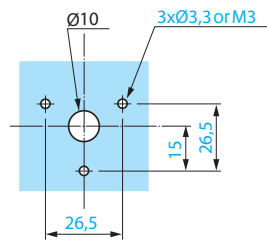
Characteristics

Product certifications	Standard version		CSA, UL
Conformity to standards			EN/IEC 60947-5-1
Protective treatment	Standard version		"TC"
Ambient air temperature	For storage	°C	- 40...+ 70
	For operation	°C	- 25...+ 70 with incandescent bulb - 10...+ 50 with "flash" discharge tube
Electric shock protection	Conforming to IEC 60536		Class II
Degree of protection	Conforming to IEC 60529		IP 40
Material	Illuminated units		Polycarbonate
	Base unit and cover		Glass-reinforced polyamide and polycarbonate
Rated insulation voltage (Ui)	Conforming to IEC 60947-1	V	250
Consumption	With "flash" discharge tube circuit	mA	~ 24 V: < 90 - - 24 V: < 145
		mA	~ 120 V: < 35
		mA	~ 230 V: < 25
Rated impulse withstand voltage	Conforming to IEC 60947-1	kV	U imp = 4
Light source	Illuminated units with steady light		Incandescent bulbs with BA 15d base fitting, maximum power 5 W
Illuminating power	Illuminated units with discharge circuit (flash lamp with integral tube)	cds	1.4 (integral high intensity tube) with clear lens unit
Connection	Maximum clamping capacity on protected, ready-to-tighten, screw and captive cable clamp terminals	mm ²	1 x 1.5 with cable end
Cable entry			For n° 7 (DIN Pg 7) cable gland, not included

Dimensions



Panel cut-out for direct fixing



Beacons and indicator banks

Illuminated beacons Ø 45 mm
Harmony type XVD LS Optimum
Complete miniature beacons



XVD LS●●

Beacons with steady light signalling

Description	Light source, to be ordered separately	Colour	Reference	Weight kg
Complete unit comprising: - 1 illuminated unit - 1 base unit (direct fixing)	Incandescent bulb 5 W max. 230 V max.	Green	XVD LS33	0.080
		Red	XVD LS34	0.080
		Orange	XVD LS35	0.080
		Blue	XVD LS36	0.080
		Clear	XVD LS37	0.080
		Yellow	XVD LS38	0.080

Bulbs for beacons with steady light signalling

Description	Characteristics		Sold in lots of	Unit reference	Weight kg
Incandescent bulbs BA 15d base fitting	24 V	4 W	10	DL1 BEBS	0.090
	120 V	5 W	10	DL1 BEGS	0.090
	230 V	5 W	10	DL1 BEMS	0.090

Beacons with 1 Joule “flash” discharge tube

Description	Light source (included)	Colour	Reference	Weight kg		
Complete unit comprising: - 1 illuminated unit - 1 base unit (direct fixing)	“Flash” discharge tube ~ 24 V	Green	XVD LS6B3	0.085		
		Red	XVD LS6B4	0.085		
		Orange	XVD LS6B5	0.085		
		Blue	XVD LS6B6	0.085		
		Clear	XVD LS6B7	0.085		
		Yellow	XVD LS6B8	0.085		
		“Flash” discharge tube ~ 120 V	“Flash” discharge tube ~ 120 V	Green	XVD LS6G3	0.085
				Red	XVD LS6G4	0.085
Orange	XVD LS6G5			0.085		
Blue	XVD LS6G6			0.085		
Clear	XVD LS6G7			0.085		
Yellow	XVD LS6G8			0.085		
“Flash” discharge tube ~ 230 V	“Flash” discharge tube ~ 230 V			Green	XVD LS6M3	0.085
				Red	XVD LS6M4	0.085
		Orange	XVD LS6M5	0.085		
		Blue	XVD LS6M6	0.085		
		Clear	XVD LS6M7	0.085		
		Yellow	XVD LS6M8	0.085		

Beacons and indicator banks

Beacons and indicator banks Ø 45 mm

Harmony type XVM Optimum

Pre-assembled/pre-cabled and for customer assembly

4



Beacon XVM supplied pre-assembled and pre-cabled, with 1 illuminated unit and fitted with buzzer

Indicator banks XVM supplied pre-assembled and pre-cabled, with 2, 3 or 4 illuminated units and fitted with buzzer

Presentation

Ø 45 mm beacons and indicator banks XVM are available in 2 forms:

- **Pre-assembled and pre-cabled** by Telemecanique.
- The beacons are supplied:
 - with 1 illuminated signalling unit,
 - with or without buzzer,
 - fitted with a fixing base, comprising an aluminium support tube and plastic fixing plate, for mounting on a horizontal support.
- The indicator banks are supplied:
 - with 2, 3 or 4 illuminated signalling units,
 - with or without buzzer,
 - fitted with a fixing base, comprising an aluminium support tube and fixing bracket, for mounting on a vertical support. Some models are fitted with a fixing base, comprising an aluminium support tube mounted on a plastic fixing plate, for mounting on a horizontal support.

Pre-assembled and pre-cabled Ø 45 mm beacons and indicator banks XVM cannot be modified due to the wiring.

- And as separate components (all catalogued) **for customer assembly** of variable composition units to meet particular requirements.

Light signalling

5 catalogued lens unit colours available: red, orange, green, clear and blue. These illuminated units incorporate a BA 15d base that can be fitted (by simple 15° rotation) with the choice of light source:

- 1 incandescent bulb,
- 1 LED, or
- 1 "flash" discharge tube.

These 3 types of light source enable:

- steady light signalling using an incandescent bulb or an LED (1),
- flashing light signalling using an LED,
- "flash" light signalling using a "flash" discharge tube.

(1) A flashing function can also be obtained from a steady light LED by using a PLC output signal.

Audible signalling

The beacon or indicator bank is supplied with or without an audible (buzzer) unit depending on the configuration required. The buzzer is housed in the base unit of the beacon or indicator bank.

- There is also a potentiometer in the base unit for adjusting the volume of the audible signal, up to a value of 80 decibels.
- A selector enables the choice of signalling: continuous or intermittent tone.

Modularity

■ Beacons and indicator banks XVM can also be assembled by the customer using separate components, all of which are catalogue listed:

- either 5 illuminated units maximum, or
- a base unit with buzzer and 4 illuminated units.

■ The light sources (incandescent bulb, LED or "flash" discharge tube) are interchangeable. This enables, for example, the replacement of incandescent bulbs initially fitted in an indicator bank by LEDs (longer service life) in order to reduce maintenance operations. The current consumption of LEDs is very low and consequently, their usage has a definite effect on the reduction of power consumption.

■ The illuminated units easily fit together and electrical connections are made automatically.

■ Connections in the base unit for customer assembled indicator banks are made to a screw terminal block.

Cabling

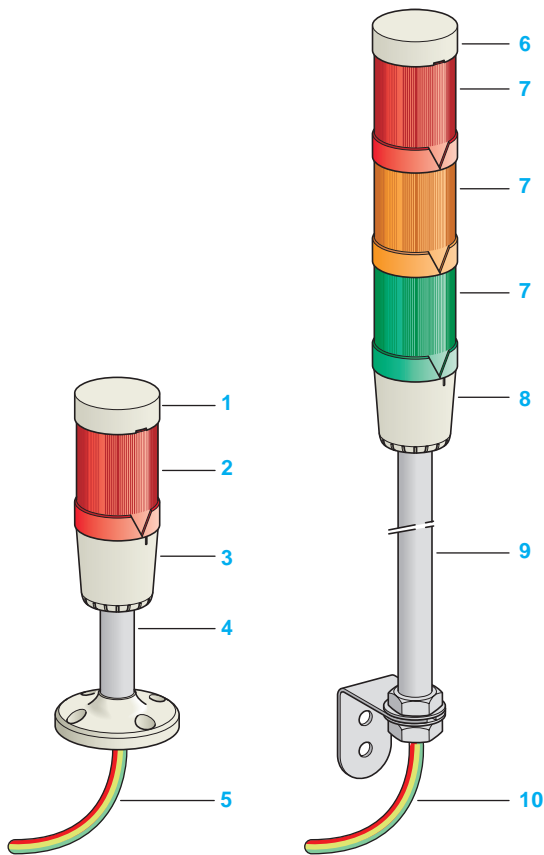
Indicator banks XVM supplied pre-assembled feature referenced wires with a wiring instructions label. Each signalling unit of the indicator bank is identified by a different wire colour.

Beacons and indicator banks

Beacons and indicator banks Ø 45 mm

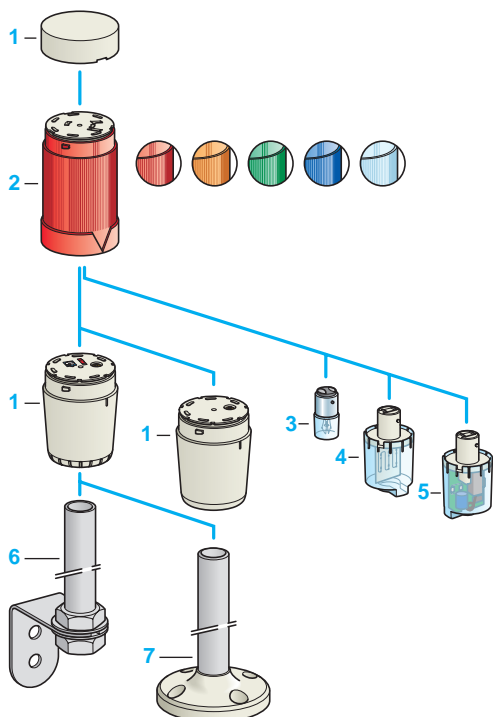
Harmony type XVM Optimum

Pre-assembled/pre-cabled and for customer assembly



Pre-assembled and pre-cabled beacon XVM fitted with buzzer

Pre-assembled and pre-cabled indicator bank XVM with 3 illuminated units and fitted with buzzer



Description

Pre-assembled and pre-cabled beacons and indicator banks

- The pre-assembled XVM beacons comprise:
 - 1 A cover.
 - 2 A coloured illuminated unit (red or orange) fitted with either an incandescent bulb, a base mounted LED or a "flash" discharge tube, depending on the catalogued model selected.
 - 3 A base unit integrating the buzzer (depending on model).
 - 4 A fixing base, comprising a 100 mm high aluminium support tube mounted on a plastic fixing plate, for mounting on a horizontal support.
 - 5 300 mm flying lead connections, each wire identified.
- The pre-assembled XVM indicator banks comprise:
 - 6 A cover.
 - 7 Two, three or four coloured illuminated units (red, green, orange or blue). Each illuminated unit is fitted with an incandescent bulb or a base mounted LED, depending on the catalogued model selected.
 - 8 A base unit integrating the buzzer (depending on model).
 - 9 A fixing base, comprising a 250 mm high aluminium support tube mounted on a bracket, for mounting on a vertical support.
 - 10 300 mm flying lead connections, each wire identified.

Breakdown of the reference for a pre-assembled indicator bank (1)

		XVM	1 unit	2 units	3 units	4 units
Voltage	~ 24 V	B				
	~ 120 V	G				
	~ 230 V	M				
Light source	Incandescent bulb	1				
(2)	LED	2				
Illuminated unit	Red	R				
	Orange	A				
	Green	G				
	Blue	B				
	Clear	C				
Signalling	Steady		(3)	(3)	(3)	(3)
	Flashing		5	5	5	5
	"Flash"		6	6	6	6
Buzzer	Without					(3)
	With					S

Customer assembled indicator banks

The customised composition of XVM indicator banks is obtained by assembling:

- 1 A cover and a base unit, with or without integral buzzer.
- 2 5 illuminated units maximum (4), red, orange, green, blue or clear lens (light source not included).

Each illuminated unit can be fitted with either:

- 3 an incandescent bulb,
- 4 a base mounted LED, or
- 5 a "flash" discharge tube.

Base mounted LEDs and "flash" discharge tubes can be fitted or removed without using a tool.

The assembly detailed above mounts on either:

- 6 an aluminium support tube (length 100, 250 or 400 mm) mounted on a fixing bracket.
- 7 an aluminium support tube (length 100, 250 or 400 mm) mounted in on a plastic fixing plate.

(1) This table is purely for information and must not be used to create a product reference.

(2) "Flash" discharge tube to be ordered separately, see page 4/11.

(3) Not indicated, default value.

(4) Maximum configuration possibilities:

- 5 illuminated units mounted on base unit without buzzer.
- 4 illuminated units mounted on base unit fitted with buzzer.

Beacons and indicator banks

Beacons and indicator banks Ø 45 mm
Harmony type XVM Optimum
Pre-assembled/pre-cabled and for customer assembly

Environment

Degree of protection	Conforming to IEC 60529		IP 42 mounted vertically IP 40 in other positions
Product certifications			CCC
Approval			CE
Conformity to standards			IEC/EN 60947-1, IEC/EN 60947-5-1
Ambient air temperature	For storage	°C	- 25...+ 70
	For operation	°C	- 10...+ 50
Electric shock protection Conforming to IEC 61140, IEC 60947-1 and IEC 60947-5-1	Mounted on aluminium support tube		Class I
	Mounted on base		Class II
Protective treatment			Standard version "TC"
Electronic components protection (LED and "flash")	Fuse to be connected in series on common	A	0.2 (~ 120...230 V)

Electrical characteristics

Light sources			Incandescent bulbs	LEDs		"Flash" discharge tube, 0.8 Joule
				Steady light signalling	Flashing light signalling	
Rated insulation voltage (Ui)	Conforming to IEC 60947-1	V	250			
Voltage limits	Conforming to IEC 60947-5-1		0.85...1.10 Un			
Light source type	For mounting in BA 15d base, push-and-turn (15°)		BA 15d base fitting			
Consumption	On ~ 24 V	mA	5 W max.	43	45	140 (on ~) 98 (on ---)
	On ~ 120 V	mA	5 W max.	16	16	33
	On ~ 230 V	mA	5 W max.	15	15	20
Rated impulse withstand voltage	Conforming to IEC 60947-1	kV	Uimp = 4			
Illuminating power	Average value for all colours	cds/m²	650	900	900	–
Flashing frequency	Nominal value	Hz	–	–	1	0.8

Audible unit (base unit fitted with buzzer)

Consumption	On ~ 24 V	mA	15
	On ~ 120 V	mA	18
	On ~ 230 V	mA	18
Power	Continuous or intermittent tone	dB	0...80 at 1 m
	Fundamental frequency	kHz	4 for continuous tone

Connection of illuminated and audible units

Terminal referencing		<ul style="list-style-type: none"> <input type="checkbox"/> 1 terminal referenced N: common to all 5 units, including base unit fitted with buzzer <input type="checkbox"/> 1 terminal referenced B: for base unit fitted with buzzer <input type="checkbox"/> 4 terminals referenced 1 - 2 - 3 - 4: for 4 illuminated units mounted on base unit fitted with buzzer <input type="checkbox"/> 5 terminals referenced 1 - 2 - 3 - 4 - 5: for 5 illuminated units mounted on base unit without buzzer
Connection	Flying leads on pre-cabled indicator banks	Wire c.s.a.: 1 x 0.325 mm² / AWG 22 (1)
	Screw terminals	Max.: 1 x 1.5 mm² Min.: 1 x 0.325 mm²

(1) AWG: American Wire Gauge.

Beacons and indicator banks

Beacons and indicator banks Ø 45 mm

Harmony type XVM Optimum

Pre-assembled and pre-cabled beacons



XVM...F



XVM...SF

Pre-assembled and pre-cabled beacons							
With fixing base for mounting on horizontal support (aluminium support tube + plastic fixing plate)							
Description	Light source (included)	Voltage (V)	Signalling colour (1)			Reference	Weight kg
			Steady	Flashing	"Flash"		
With 1 illuminated unit							
Without buzzer	Incandescent bulb, 5 W	~ 24	R	-	-	XVM B1RF	0.216
			O	-	-	XVM B1AF	0.216
		~ 120	R	-	-	XVM G1RF	0.216
			O	-	-	XVM G1AF	0.216
		~ 230	R	-	-	XVM M1RF	0.216
			O	-	-	XVM M1AF	0.216
	LED	~ 24	R	-	-	XVM B2RF	0.163
			-	O	-	XVM B2A5F	0.163
		~ 120	R	-	-	XVM G2RF	0.163
			-	O	-	XVM G2A5F	0.163
		~ 230	R	-	-	XVM M2RF	0.163
			-	O	-	XVM M2A5F	0.163
	"Flash" discharge tube	~ 24	-	-	R	XVM BR6F	0.177
			-	-	O	XVM BA6F	0.177
		~ 120	-	-	R	XVM GR6F	0.177
			-	-	O	XVM GA6F	0.177
		~ 230	-	-	R	XVM MR6F	0.177
			-	-	O	XVM MA6F	0.177
With buzzer integrated in base unit	Incandescent bulb, 5 W	~ 24	R	-	-	XVM B1RSF	0.226
			O	-	-	XVM B1ASF	0.226
		~ 120	R	-	-	XVM G1RSF	0.226
			O	-	-	XVM G1ASF	0.226
		~ 230	R	-	-	XVM M1RSF	0.226
			O	-	-	XVM M1ASF	0.226
	LED	~ 24	R	-	-	XVM B2RSF	0.173
			-	O	-	XVM B2A5SF	0.173
		~ 120	R	-	-	XVM G2RSF	0.173
			-	O	-	XVM G2A5SF	0.173
		~ 230	R	-	-	XVM M2RSF	0.173
			-	O	-	XVM M2A5SF	0.173
	"Flash" discharge tube	~ 24	-	-	R	XVM BR6SF	0.187
			-	-	O	XVM BA6SF	0.187
		~ 120	-	-	R	XVM GR6SF	0.187
			-	-	O	XVM GA6SF	0.187
		~ 230	-	-	R	XVM MR6SF	0.187
			-	-	O	XVM MA6SF	0.187

(1) Signalling colour: R: red; O: orange.

Beacons and indicator banks

Beacons and indicator banks Ø 45 mm

Harmony type XVM Optimum

Pre-assembled and pre-cabled indicator banks

Pre-assembled and pre-cabled indicator banks

With fixing base for mounting on vertical support (aluminium support tube + metal bracket)

Description	Light source (included)	Voltage (V)	Signalling colour (1)			Reference (2)	Weight kg
			Steady	Flashing	"Flash"		
With 2 illuminated units							
Without buzzer	Incandescent bulb, 5 W	~ 24	R-O	-	-	XVM B1RA (3)	0.392
			R-G	-	-	XVM B1RG (3)	0.392
		~ 120	R-O	-	-	XVM G1RA (3)	0.392
			R-G	-	-	XVM G1RG (3)	0.392
		~ 230	R-O	-	-	XVM M1RA (3)	0.392
			R-G	-	-	XVM M1RG (3)	0.392
	LED	~ 24	R-O	-	-	XVM B2RA (3)	0.395
			R-G	-	-	XVM B2RG (3)	0.395
			G	R	-	XVM B2R5G	0.395
			R	O	-	XVM B2RA5	0.395
			-	R-O	-	XVM B2R5A5	0.395
		~ 120	R-O	-	-	XVM G2RA (3)	0.395
			R-G	-	-	XVM G2RG (3)	0.395
			G	R	-	XVM G2R5G	0.395
			R	O	-	XVM G2RA5	0.395
			-	R-O	-	XVM G2R5A5	0.395
		~ 230	R-O	-	-	XVM M2RA (3)	0.395
			R-G	-	-	XVM M2RG (3)	0.395
			G	R	-	XVM M2R5G	0.395
			R	O	-	XVM M2RA5	0.395
-	R-O		-	XVM M2R5A5	0.395		
With buzzer integrated in base unit	Incandescent bulb, 5 W	~ 24	R-O	-	-	XVM B1RAS (3)	0.402
			R-G	-	-	XVM B1RGS (3)	0.402
		~ 120	R-O	-	-	XVM G1RAS (3)	0.402
			R-G	-	-	XVM G1RGS (3)	0.402
		~ 230	R-O	-	-	XVM M1RAS (3)	0.402
			R-G	-	-	XVM M1RGS (3)	0.402
	LED	~ 24	R-O	-	-	XVM B2RAS (3)	0.404
			R-G	-	-	XVM B2RGS (3)	0.404
			G	R	-	XVM B2R5GS	0.404
			R	O	-	XVM B2RA5S	0.404
			-	R-O	-	XVM B2R5A5S	0.404
		~ 120	R-O	-	-	XVM G2RAS (3)	0.404
			R-G	-	-	XVM G2RGS (3)	0.404
			G	R	-	XVM G2R5GS	0.404
			R	O	-	XVM G2RA5S	0.404
			-	R-O	-	XVM G2R5A5S	0.404
		~ 230	R-O	-	-	XVM M2RAS (3)	0.404
			R-G	-	-	XVM M2RGS (3)	0.404
			G	R	-	XVM M2R5GS	0.404
			R	O	-	XVM M2RA5S	0.404
-	R-O		-	XVM M2R5A5S	0.404		

(1) Signalling colour: R: red; O: orange; G: green.

(2) In the references, the colours are listed in same order as the mounting of the illuminated units (from top to bottom).

(3) For an indicator bank with fixing base for mounting on horizontal support (aluminium support tube + plastic fixing plate) add the letter H to the end of the reference. Example: **XVM B1RAH**.

XVM●●RG



XVM●●RGS

Beacons and indicator banks

Beacons and indicator banks Ø 45 mm

Harmony type XVM Optimum

Pre-assembled and pre-cabled indicator banks



Pre-assembled and pre-cabled indicator banks

With fixing base for mounting on vertical support (aluminium support tube + metal bracket)

Description	Light source (included)	Voltage (V)	Signalling colour (1)			Reference (2)	Weight kg
			Steady	Flashing	"Flash"		
With 3 illuminated units							
Without buzzer	Incandescent bulb, 5 W	~ 24	R-O-G	-	-	XVM B1RAG (3)	0.493
			O-G	-	R	XVM B1R6AG	0.454
		~ 120	R-O-G	-	-	XVM G1RAG (3)	0.493
			O-G	-	R	XVM G1R6AG	0.454
		~ 230	R-O-G	-	-	XVM M1RAG (3)	0.493
			O-G	-	R	XVM M1R6AG	0.454
	LED	~ 24	R-O-G	-	-	XVM B2RAG (3)	0.443
			O-G	-	R	XVM B2R6AG	0.456
			R-G	O	-	XVM B2RA5G (3)	0.443
			G	R-O	-	XVM B2R5A5G	0.443
			G	O	R	XVM B2R6A5G	0.456
			~ 120	R-O-G	-	-	XVM G2RAG (3)
		O-G		-	R	XVM G2R6AG	0.456
		R-G		O	-	XVM G2RA5G (3)	0.443
		G		R-O	-	XVM G2R5A5G	0.443
		G		O	R	XVM G2R6A5G	0.456
		~ 230		R-O-G	-	-	XVM M2RAG (3)
			O-G	-	R	XVM M2R6AG	0.456
R-G	O		-	XVM M2RA5G (3)	0.443		
G	R-O		-	XVM M2R5A5G	0.443		
G	O		R	XVM M2R6A5G	0.456		
With buzzer integrated in base unit	Incandescent bulb, 5 W		~ 24	R-O-G	-	-	XVM B1RAGS (3)
		O-G		-	R	XVM B1R6AGS	0.463
		~ 120	R-O-G	-	-	XVM G1RAGS (3)	0.449
			O-G	-	R	XVM G1R6AGS	0.463
		~ 230	R-O-G	-	-	XVM M1RAGS (3)	0.449
			O-G	-	R	XVM M1R6AGS	0.463
	LED	~ 24	R-O-G	-	-	XVM B2RAGS (3)	0.453
			O-G	-	R	XVM B2R6AGS	0.466
			R-G	O	-	XVM B2RA5GS (3)	0.453
			G	R-O	-	XVM B2R5A5GS	0.453
			G	O	R	XVM B2R6A5GS	0.466
			~ 120	R-O-G	-	-	XVM G2RAGS (3)
		O-G		-	R	XVM G2R6AGS	0.466
		R-G		O	-	XVM G2RA5GS (3)	0.453
		G		R-O	-	XVM G2R5A5GS	0.453
		G		O	R	XVM G2R6A5GS	0.466
		~ 230		R-O-G	-	-	XVM M2RAGS (3)
			O-G	-	R	XVM M2R6AGS	0.466
R-G	O		-	XVM M2RA5GS (3)	0.453		
G	R-O		-	XVM M2R5A5GS	0.453		
G	O		R	XVM M2R6A5GS	0.466		

(1) Signalling colour: R: red; O: orange; G: green.

(2) In the references, the colours are listed in same order as the mounting of the illuminated units (from top to bottom).

(3) For an indicator bank with fixing base for mounting on horizontal support (aluminium support tube + plastic fixing plate) add the letter **H** to the end of the reference. Example: **XVM B1RAGH**.

Beacons and indicator banks

Beacons and indicator banks Ø 45 mm

Harmony type XVM Optimum

Pre-assembled and pre-cabled indicator banks

Pre-assembled and pre-cabled indicator banks

With fixing base for mounting on vertical support (aluminium support tube + metal bracket)

Description	Light source (included)	Voltage (V)	Signalling colour (1)			Reference (2)	Weight kg
			Steady	Flashing	"Flash"		
With 4 illuminated units							
Without buzzer	Incandescent bulb, 5 W	~ 24	R-O-G-B	-	-	XVM B1RAGB (3)	0.486
		~ 120	R-O-G-B	-	-	XVM G1RAGB (3)	0.486
		~ 230	R-O-G-B	-	-	XVM M1RAGB (3)	0.486
	LED	~ 24	R-O-G-B	-	-	XVM B2RAGB (3)	0.491
		~ 120	R-O-G-B	-	-	XVM G2RAGB (3)	0.491
		~ 230	R-O-G-B	-	-	XVM M2RAGB (3)	0.491
With buzzer integrated in base unit	Incandescent bulb, 5 W	~ 24	R-O-G-B	-	-	XVM B1RAGBS (3)	0.496
		~ 120	R-O-G-B	-	-	XVM G1RAGBS (3)	0.496
		~ 230	R-O-G-B	-	-	XVM M1RAGBS (3)	0.496
	LED	~ 24	R-O-G-B	-	-	XVM B2RAGBS (3)	0.501
		~ 120	R-O-G-B	-	-	XVM G2RAGBS (3)	0.501
		~ 230	R-O-G-B	-	-	XVM M2RAGBS (3)	0.501



XVM●●RAGB



XVM●●RAGBS

(1) Signalling colour: R: red; O: orange; G: green; B: blue.

(2) In the references, the colours are listed in same order as the mounting of the illuminated units (from top to bottom).

(3) For an indicator bank with fixing base for mounting on horizontal support (aluminium support tube + plastic fixing plate) add the letter H to the end of the reference. Example: XVM B1RAGBH.

Beacons and indicator banks

Beacons and indicator banks Ø 45 mm

Harmony type XVM Optimum

Customer assembled beacons and indicator banks, accessories



XVM C3●



XVM C21



XVM C29●



XVM Z02



XVM Z02T



DL1 ED●S



DL2 E●●●



DL6 B●

Customer assembled beacons and indicator banks

Description	Details	Voltage V	Colour	Reference	Weight kg
Illuminated units					
Lens units only for BA 15d base fitting bulb	Bulb not included, 5 W max.	Up to ≈ 230	Green	XVM C33	0.040
			Red	XVM C34	0.040
			Orange	XVM C35	0.040
			Blue	XVM C36	0.040
			Clear	XVM C37	0.040

Base mounting units

Description	Details	Voltage V	Colour	Reference	Weight kg
Base unit and cover					
Base unit without buzzer	Base unit without buzzer	–	White	XVM C21	0.055
		≈ 24	White	XVM C29B	0.065
		≈ 120	White	XVM C29G	0.065
Base unit with integral 80 dB buzzer	Base unit with integral 80 dB buzzer	≈ 230	White	XVM C29M	0.065
		–	White	XVM C213T	0.298
		≈ 24	White	XVM C29B3T	0.308
Base unit without buzzer	Base unit without buzzer	–	White	XVM C213T	0.298
		≈ 24	White	XVM C29B3T	0.308
		≈ 120	White	XVM C29G3T	0.308
Base unit with integral 80 dB buzzer	Base unit with integral 80 dB buzzer	≈ 230	White	XVM C29M3T	0.308
		–	White	XVM C213T	0.298
		≈ 24	White	XVM C29B3T	0.308

Fixing bases

Description	Length mm	Height under base unit mm	Colour	Reference	Weight kg
Ø 20 mm aluminium support tube + plastic fixing plate					
Ø 20 mm aluminium support tube + plastic fixing plate	100	78	White	XVM Z02	0.060
	250	228	White	XVM Z03	0.108
	400	378	White	XVM Z04	0.155
Ø 20 mm aluminium support tube + metal bracket					
Ø 20 mm aluminium support tube + metal bracket	100	113	–	XVM Z02T	0.198
	250	263	–	XVM Z03T	0.242
	400	413	–	XVM Z04T	0.287

Light sources for lens units (1)

Description	Signalling	Sold in lots of	Voltage V	Colour	Unit reference	Weight kg
Incandescent bulbs, 5 W						
Incandescent bulbs, 5 W	Steady light	10	≈ 24	–	DL1 ED●S	0.007
			≈ 120	–	DL1 ED●S	0.007
			≈ 230	–	DL1 ED●S	0.007
LEDs						
LEDs	<input type="checkbox"/> Steady light: replace the ● by D in the references shown on the right. <input type="checkbox"/> Flashing light: replace the ● by K in the references shown on the right.	1	≈ 24	White	DL2 E●B1	0.009
				Green	DL2 E●B3	0.009
				Red	DL2 E●B4	0.009
				Blue	DL2 E●B6	0.009
				Orange	DL2 E●B8	0.009
				White	DL2 E●G1	0.009
				Green	DL2 E●G3	0.009
				Red	DL2 E●G4	0.009
				Blue	DL2 E●G6	0.009
				Orange	DL2 E●G8	0.009
				White	DL2 E●M1	0.009
				Green	DL2 E●M3	0.009
				Red	DL2 E●M4	0.009
				Blue	DL2 E●M6	0.009
				Orange	DL2 E●M8	0.009
"Flash" discharge tubes, 0.8 Joule						
"Flash" discharge tubes, 0.8 Joule	"Flash"	1	≈ 24	–	DL6 BB	0.022
			≈ 120	–	DL6 BG	0.022
			≈ 230	–	DL6 BM	0.022

(1) All light sources are push-and-turn (15°) mounting in a BA 15d base within the illuminated units.

Accessories for pre-assembled/pre-cabled and customer assembled beacons and indicator banks

Description	Details	Reference	Weight kg
Cover only	White	XVM Z081	–
Mounting tool	For fitting and removal of incandescent bulbs type DL1	ZBZ X13	–

Beacons and indicator banks

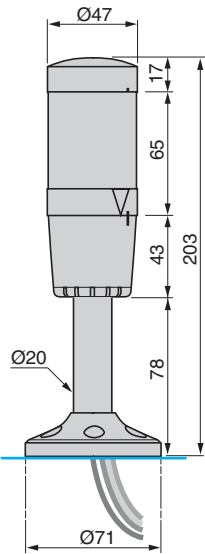
Beacons and indicator banks Ø 45 mm

Harmony type XVM Optimum

Pre-assembled/pre-cabled beacons and indicator banks

Pre-assembled & pre-cabled beacons

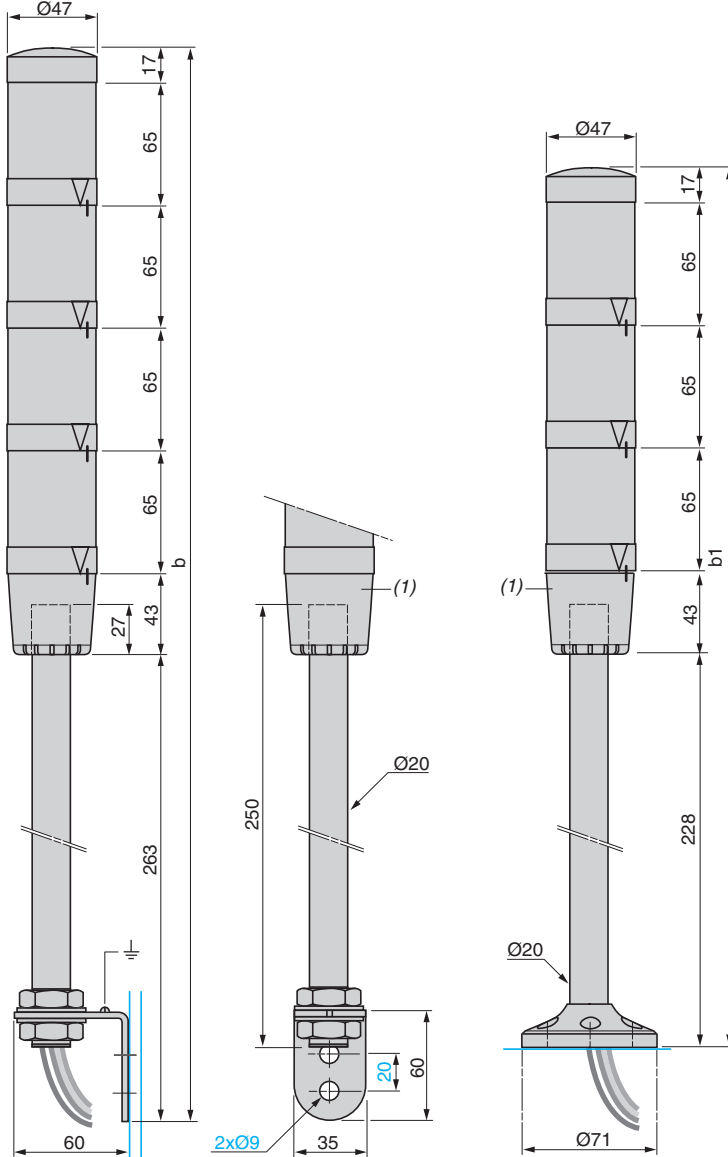
With fixing base for mounting on horizontal support (support tube + fixing plate)



Pre-assembled and pre-cabled indicator banks

With fixing base for mounting on vertical support (support tube + bracket)

With fixing base for mounting on horizontal support (support tube + fixing plate)

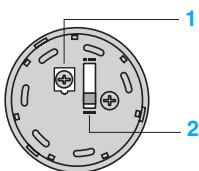


(1) Base unit with or without buzzer.

Height of pre-assembled and pre-cabled indicator banks

No. of illuminated units	b (mm)	b1 (mm)
1 unit	392	-
2 units	457	353
3 units	522	418
4 units	587	-

Adjustment of audible signal on buzzer type unit



Base unit with integral buzzer (viewed from above)

- Volume adjustment potentiometer: 0 to 80 dB. Use either a cross headed or flat tipped screwdriver.
- 2-position selector for type of audible signal:
 - continuous tone
 - - - intermittent tone

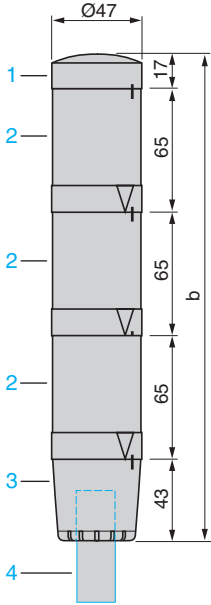
Beacons and indicator banks

Beacons and indicator banks Ø 45 mm

Harmony type XVM Optimum

Customer assembled indicator banks

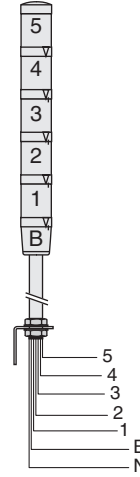
Customer assembled indicator banks



- 1 Cover
- 2 Illuminated unit
- 3 Base unit (with or without buzzer)
- 4 Fixing base (see below)

Number of illuminated units (ref. 2)	b
1	125
2	190
3	255
4	320
5	385

Connection scheme



- Indicator bank with buzzer**
(4 illuminated units max.)
- 4: 4th illuminated unit (yellow wire)
 - 3: 3rd illuminated unit (green wire)
 - 2: 2nd illuminated unit (white wire)
 - 1: 1st illuminated unit (blue wire)
 - N: common (black wire)
 - B: Buzzer (grey wire)

- Indicator bank without buzzer**
- 5: 5th illuminated unit (red wire)
 - 4: 4th illuminated unit (yellow wire)
 - 3: 3rd illuminated unit (green wire)
 - 2: 2nd illuminated unit (white wire)
 - 1: 1st illuminated unit (blue wire)
 - N: common (black wire)

Maximum capacity for wiring through support tube:

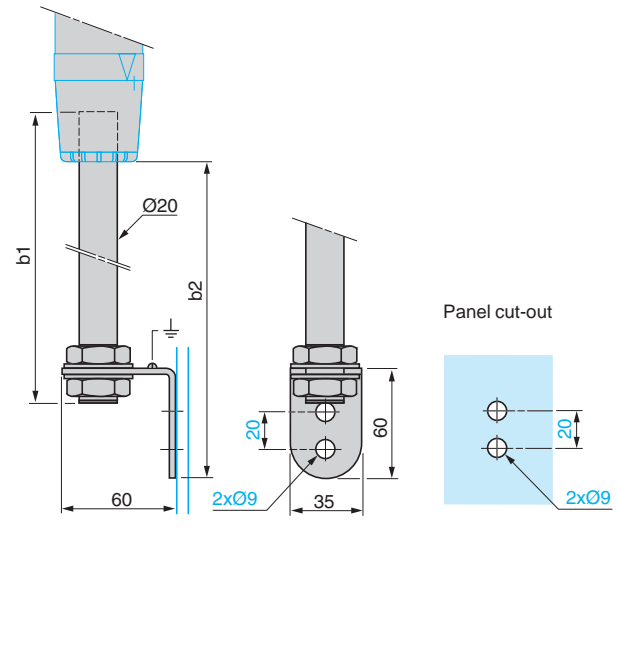
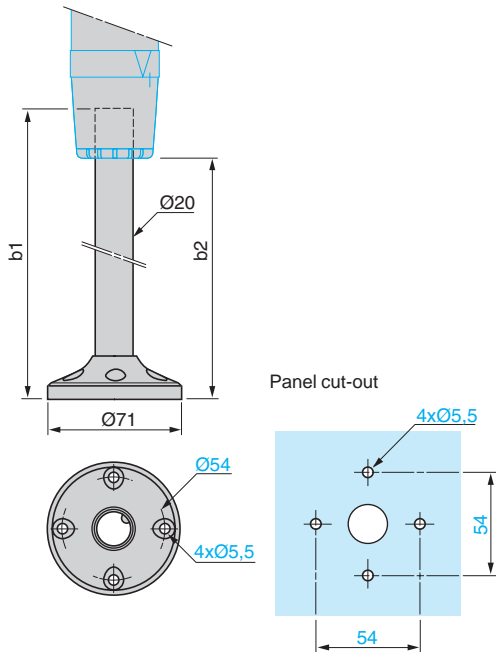
- 6 wires x 1 mm²,
- 5 wires x 1.5 mm²



Fixing bases

XVM Z0●, for mounting on horizontal support

XVM Z0●T, for mounting on vertical support



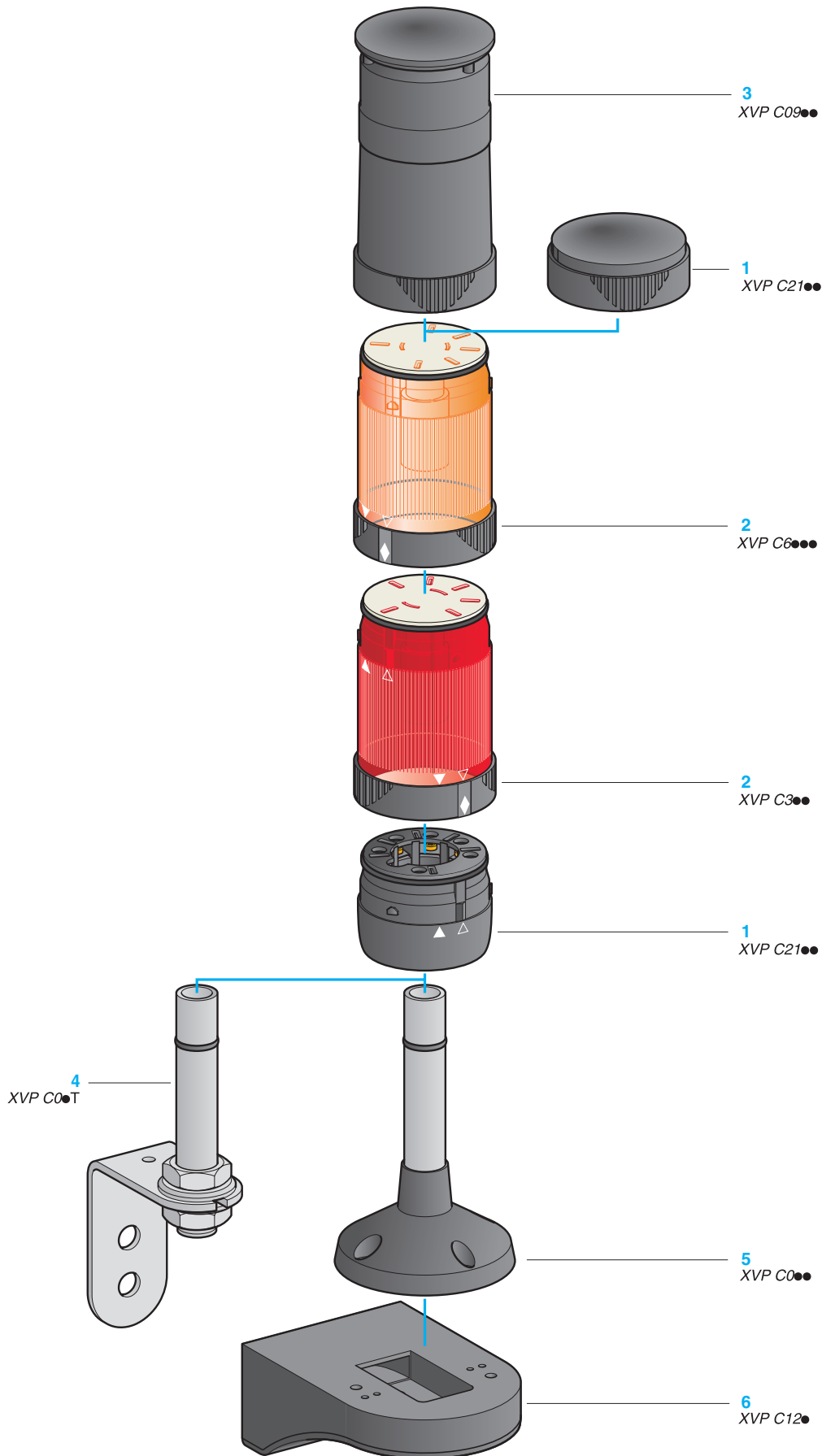
Support tube length	b1 (tube + plate)	b2 (height under base unit)
100	105	78
250	255	228
400	405	378

Support tube length	b1 (tube + bracket)	b2 (height under base unit)
100	140	113
250	290	263
400	440	413

Beacons and indicator banks

Indicator banks Ø 50 mm,
Harmony type XVP C Universal (customer assembly, up to 5 units)

4



Beacons and indicator banks

Indicator banks Ø 50 mm,
Harmony type XVP C Universal (customer assembly, up to 5 units)

Indicator banks XVP C are visual or audible signalling units for indicating, throughout 360° and at a distance, the various states or operation sequences of a machine or installation.

Their reduced diameter (50 mm) makes them particularly suitable for use on small equipment.

In addition, the availability of two versions (aesthetic black or cream), makes them ideal for use in all sectors of activity: light industry, electronic, tertiary sector, food/drink processing.

The indicator bank

Customer assembled product

Variable composition assembly of illuminated and audible units which are supplied as separate items (assembly by user).

The bank comprises:

- 1 a base unit with bottom cable entry, a cover for the top unit,
- 2 1 to 5 illuminated units with steady, flashing or "flash" light signalling (colours: green, red, orange, blue, clear or yellow).
- 3 or 1 audible unit (always mounted at the top of the bank) + 4 illuminated units.

- The illuminated or audible units stack vertically and are easily locked and unlocked using an integral clamping ring. Electrical connections between each unit are made automatically.

- For indicator banks XVP C, several illuminated "flash" units can be mounted.

- The flashing illuminated units are only available in the LED version and incorporate BA 15d base mounted flashing LEDs.

Accessories

- 4 Threaded aluminium support tube with fixing bracket, for heights beneath the base unit of 77, 227 or 377 mm.
- 5 Aluminium support tube with integral black or cream fixing base, for heights beneath the base unit of 89, 237 or 387 mm, for direct mounting on the machine or on a vertical support 6.

Installation

Mounting

- Base unit fixed directly onto panel, or
- using support tube with integral fixing base, or
- using threaded support tube with metal fixing bracket, or
- using support tube with integral fixing base, mounted on a fixing plate for use on a vertical support.

Cabling

By means of terminal block incorporated in base unit. The screw and captive cable clamp terminals are protected to prevent any accidental contact with live parts. Cream coloured base units are available for use with eyelet tags.

Environment characteristics

Product certifications	Standard version		CSA, CE marking, cULus	
Conformity to standards			EN/IEC 60947-5-1	
Protective treatment	Standard version		"TC"	
Ambient air temperature	For storage	°C	- 40...+ 70	
	For operation	Illuminated units with steady light signalling	°C	- 25...+ 50 with 7 W incandescent bulb - 25...+ 50 with LED
		Illuminated "flash" units (discharge tube) Audible units	°C	- 25...+ 50
Electric shock protection conforming to IEC 61140	Mounted on support tube		Class I	
	Mounted on base unit		Class II	
Degree of protection	Conforming to IEC 60529		- IP 65 for illuminated units - IP 43 for audible units	
Material	Illuminated units		Polycarbonate and Polyamide	
	Base unit and cover		Acrylic Butadiene-Styrene + Polycarbonate and Polyamide	
	Support tube + fixing plate		Aluminium and Acrylic Butadiene-Styrene + Polycarbonate	

Electrical characteristics

Rated insulation voltage (Ui)	Conforming to IEC 60947-1	V	250		
Voltage limits	Conforming to IEC 60947-5-1	V	0.85 to 1.10 Un (Un: nominal voltage)		
Consumption	LED unit	Steady light signalling	mA	≈ 24 V: < 47 ~ 120 V: < 17 ~ 230 V: < 17	
			Flashing light signalling	mA	≈ 24 V: < 47 ~ 120 V: < 17 ~ 230 V: < 17
				Illuminated "flash" unit (discharge tube)	mA
	mA	~ 120 V: ≤ 20			
	Audible units		mA	≈ 24 V: ≤ 11	
			mA	~ 120 V: ≤ 15 ~ 230 V: ≤ 12	
Rated impulse withstand voltage	Conforming to IEC 60947-1	kV	U imp = 4		
Light source	Illuminated units with steady or flashing light signalling		LEDs: degree of pollution 2 Incandescent bulbs with BA 15d base fitting, maximum power 7 W		
Illuminating power	Illuminated units with steady light signalling	cds	2.4 with clear lens unit (7 W incandescent bulb)		
	Illuminated "flash" units (discharge tube)	cds	1.2 (24 V) with clear lens unit (0.3 J tube), 5 (120...230 V) with clear lens unit (0.6 J tube)		
Audible unit	Continuous or intermittent tone	dB	Adjustable: 85 ± 3 max., 55 ± 3 min. at 1 m		
	Fundamental frequency	kHz	10 adjustable levels		
Terminal referencing	Common to all 5 units		1 terminal referenced -/C		
	Depending on number of units		1 or 5 terminals referenced +/1 to +/5		
Connection	Maximum clamping capacity on protected, ready-to-tighten, screw and captive cable clamp terminals	mm ²	1 x 1.5 with cable end		
Frequency of illuminated units	Illuminated "flash" units (discharge tube)	Hz	0.6...2		
	Flashing illuminated units	Hz	1		
Service life in rapidly ageing environment	Illuminated "flash" units (discharge tube) Audible units	H	> 1000, continuous (climatic cycle - 25 °C...+ 50 °C)		

Beacons and indicator banks

Indicator banks Ø 50 mm,
Harmony type XVP C Universal (customer assembly, up to 5 units)
Illuminated units

530419



XVP C3

530420



XVP C3W

Illuminated units with steady or flashing light signalling for BA 15d bulb or LED

Description	Light source, to be ordered separately	Colour	Reference	Weight kg
With black clamping ring	Incandescent bulb 7 W max. 250 V max. or LED	Green	XVP C33	0.100
		Red	XVP C34	0.100
		Orange	XVP C35	0.100
		Blue	XVP C36	0.100
		Clear	XVP C37	0.100
		Yellow	XVP C38	0.100
With cream clamping ring	Incandescent bulb 7 W max. 250 V max. or LED	Green	XVP C33W	0.100
		Red	XVP C34W	0.100
		Orange	XVP C35W	0.100
		Blue	XVP C36W	0.100
		Clear	XVP C37W	0.100
		Yellow	XVP C38W	0.100

BA 15d bulbs and LEDs

Description	Characteristics	Sold in lots of	Unit reference	Weight kg			
Incandescent bulbs BA 15d base fitting	24 V 4 W	10	DL1 BEBS	0.090			
	120 V 5 W	10	DL1 BEGS	0.090			
	230 V 5 W	10	DL1 BEMS	0.090			
	12 V 7 W	10	DL1 BEJ	0.090			
	24 V 6.5 W	10	DL1 BEB	0.090			
	48 V 6 W	10	DL1 BEE	0.090			
	120 V 7 W	10	DL1 BEG	0.090			
	230 V 7 W	10	DL1 BEM	0.090			
LEDs BA 15d base fitting	~ 24 V	White	1	DL1 BDB1	0.015		
		Green	1	DL1 BDB3	0.015		
		Red	1	DL1 BDB4	0.015		
		Orange	1	DL1 BDB5	0.015		
		Blue	1	DL1 BDB6	0.015		
		Yellow	1	DL1 BDB8	0.015		
		~ 120 V	White	1	DL1 BDG1	0.015	
			Green	1	DL1 BDG3	0.015	
	Red		1	DL1 BDG4	0.015		
	Orange		1	DL1 BDG5	0.015		
	Blue		1	DL1 BDG6	0.015		
	Yellow		1	DL1 BDG8	0.015		
	~ 230 V		White	1	DL1 BDM1	0.015	
			Green	1	DL1 BDM3	0.015	
		Red	1	DL1 BDM4	0.015		
		Orange	1	DL1 BDM5	0.015		
		Blue	1	DL1 BDM6	0.015		
		Yellow	1	DL1 BDM8	0.015		
		Flashing LEDs BA 15d base fitting	~ 24 V	White	1	DL1 BKB1	0.015
				Green	1	DL1 BKB3	0.015
	Red			1	DL1 BKB4	0.015	
	Orange			1	DL1 BKB5	0.015	
	Blue			1	DL1 BKB6	0.015	
	Yellow			1	DL1 BKB8	0.015	
~ 120 V	White			1	DL1 BKG1	0.015	
	Green			1	DL1 BKG3	0.015	
	Red		1	DL1 BKG4	0.015		
	Orange		1	DL1 BKG5	0.015		
	Blue		1	DL1 BKG6	0.015		
	Yellow		1	DL1 BKG8	0.015		
	~ 230 V		White	1	DL1 BKM1	0.015	
			Green	1	DL1 BKM3	0.015	
Red			1	DL1 BKM4	0.015		
Orange			1	DL1 BKM5	0.015		
Blue			1	DL1 BKM6	0.015		
Yellow			1	DL1 BKM8	0.015		

Protected
LED

Protected
LED

Beacons and indicator banks

Indicator banks Ø 50 mm,
Harmony type XVP C Universal (customer assembly, up to 5 units)
Illuminated and audible units



XVP C6●●



XVP C6●●W

Illuminated "flash" units with discharge tube

Description	Voltage	Colour	Reference	Weight kg	
With black clamping ring	"Flash" discharge tube (1 Joule) ~ 24 V	Green	XVP C6B3	0.120	
		Red	XVP C6B4	0.120	
		Orange	XVP C6B5	0.120	
		Blue	XVP C6B6	0.120	
		Clear	XVP C6B7	0.120	
		Yellow	XVP C6B8	0.120	
		"Flash" discharge tube (0.6 Joules) ~ 120 V	Green	XVP C6G3	0.115
			Red	XVP C6G4	0.115
			Orange	XVP C6G5	0.115
			Blue	XVP C6G6	0.115
Clear	XVP C6G7		0.115		
Yellow	XVP C6G8		0.115		
"Flash" discharge tube (0.6 Joules) ~ 230 V	Green		XVP C6M3	0.115	
	Red		XVP C6M4	0.115	
	Orange	XVP C6M5	0.115		
	Blue	XVP C6M6	0.115		
	Clear	XVP C6M7	0.115		
	Yellow	XVP C6M8	0.115		
	With cream clamping ring	"Flash" discharge tube (1 Joule) ~ 24 V	Green	XVP C6B3W	0.120
			Red	XVP C6B4W	0.120
Orange			XVP C6B5W	0.120	
Blue			XVP C6B6W	0.120	
Clear			XVP C6B7W	0.120	
Yellow			XVP C6B8W	0.120	
"Flash" discharge tube (0.6 Joules) ~ 120 V			Green	XVP C6G3W	0.115
			Red	XVP C6G4W	0.115
			Orange	XVP C6G5W	0.115
			Blue	XVP C6G6W	0.115
	Clear	XVP C6G7W	0.115		
	Yellow	XVP C6G8W	0.115		
	"Flash" discharge tube (0.6 Joules) ~ 230 V	Green	XVP C6M3W	0.115	
		Red	XVP C6M4W	0.115	
Orange		XVP C6M5W	0.115		
Blue		XVP C6M6W	0.115		
Clear		XVP C6M7W	0.115		
Yellow		XVP C6M8W	0.115		

Audible units

Description	Voltage	Colour	Reference	Weight kg
Buzzer, adjustable 55...85 dB at 1 m	~ 24 V	Black	XVP C09B	0.153
	~ 120 V	Black	XVP C09G	0.153
	~ 230 V	Black	XVP C09M	0.153
	~ 24 V	Cream	XVP C09BW	0.153
	~ 120 V	Cream	XVP C09GW	0.153
	~ 230 V	Cream	XVP C09MW	0.153



XVP C09●



XVP C09●W

Beacons and indicator banks

Indicator banks Ø 50 mm,
Harmony type XVP C Universal (customer assembly, up to 5 units)
Base units, covers and accessories



520682+520683

XVP C21



530427+530428

XVP C21W

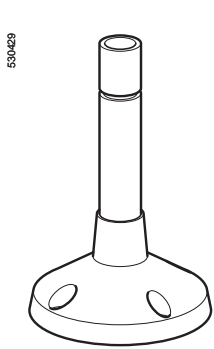
Base units

Base units for direct or tube fixing

Description	Colour	Reference	Weight kg
Base unit + cover for bared wires or wires with cable end	Black	XVP C21	0.125
	Cream	XVP C21W	0.125
Base unit + cover for eyelet tags	Cream	XVP C21WR	0.125

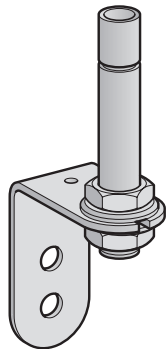
Accessories

Description	Height under base unit mm	Reference	Weight kg
Aluminium support tube with integral black fixing base	89	XVP C02	0.112
	237	XVP C03	0.173
	387	XVP C04	0.253
Aluminium support tube with integral cream fixing base	89	XVP C02W	0.112
	237	XVP C03W	0.173
	387	XVP C04W	0.253
Threaded aluminium support tube + stainless steel fixing bracket	77	XVP C02T	0.245
	227	XVP C03T	0.306
	377	XVP C04T	0.386



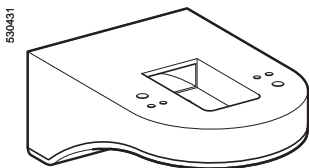
530429

XVP C0



530430

XVP C0T



530431

XVP C12

Description	Application	Reference	Weight kg
Fixing plate for use on vertical support, black	For mounting XVP C0 support tubes with integral fixing base	XVP C12	0.083
Fixing plate for use on vertical support, cream	For mounting XVP C0 support tubes with integral fixing base	XVP C12W	0.083
Bulb mounting and removal tool	–	XVP CX13	0.015

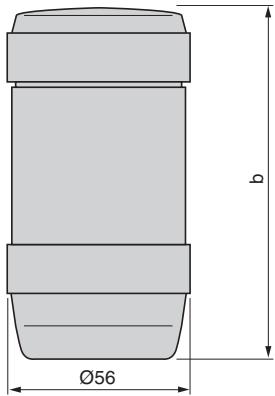


Beacons and indicator banks

Indicator banks Ø 50 mm,
Harmony type XVP C Universal (customer assembly, up to 5 units)

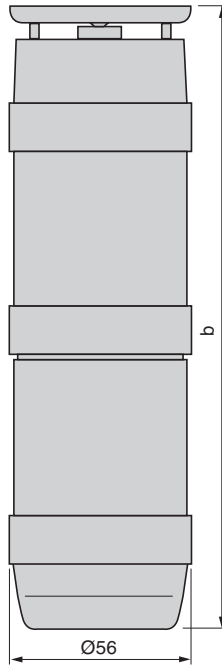
Indicator banks XVP C●●●

Without audible unit



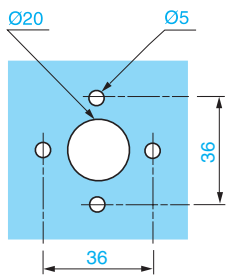
Number of illuminated units	b
1	108
2	170
3	232
4	294
5	356

With audible unit



Number of units: Illuminated	+ Audible	b
0	+ 1	129
1	+ 1	194
2	+ 1	256
3	+ 1	318
4	+ 1	380

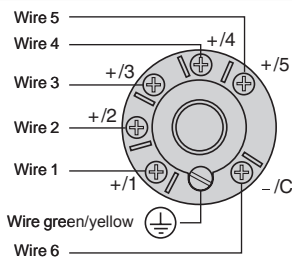
Panel cut-out for direct fixing (on base unit XVP C21●●)



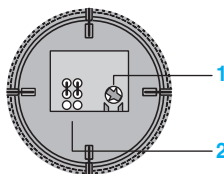
4

Installation

Connections



Adjustment of audible signal for buzzers type XVP C09●



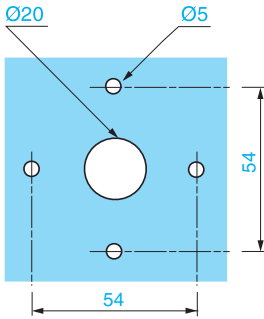
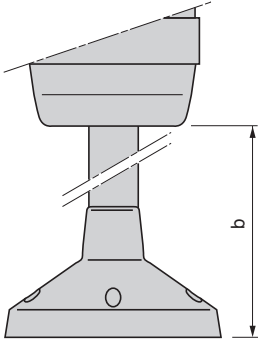
- 1 Volume adjustment potentiometer: 55...85 dB. Use either a cross headed or flat tipped screwdriver.
- 2 Adjustment of type of audible signal according to position of 2 links. Use flat-nose pliers.
- 3 10 configurations are possible, see table below. Factory set on position 5: continuous tone.

3	Position of links	Type of audible signal	Position of links	Type of audible signal
1	5 ○ 6 1 ○ 2		6	
2	5 ○ 6 1 ○ 2		7	
3	5 ○ 6 1 ○ 2		8	
4	5 ○ 6 1 ○ 2		9	
5	5 ○ 6 1 ○ 2		10	

Beacons and indicator banks

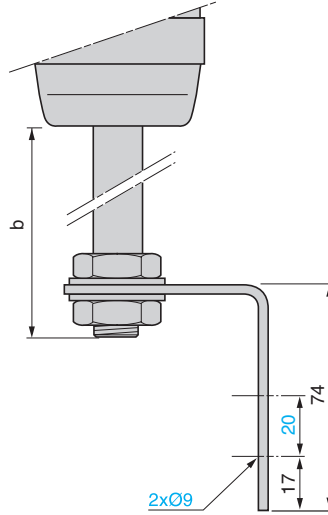
Indicator banks Ø 50 mm,
Harmony type XVP C Universal (customer assembly, up to 5 units)

Support tube XVP C0●● with integral fixing base



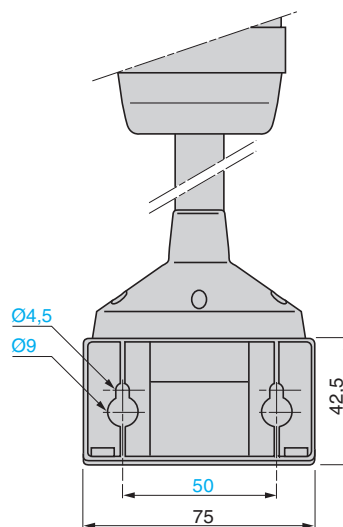
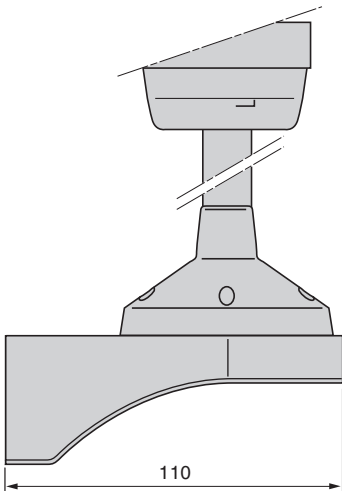
Height under base unit	b
XVP C02●	89
XVP C03●	237
XVP C04●	387

Threaded support tube XVP C0●T with metal fixing bracket



Height under base unit	b
XVP C02T	77
XVP C03T	227
XVP C04T	377

Mounting using fixing plate XVP C12● for use on a vertical support

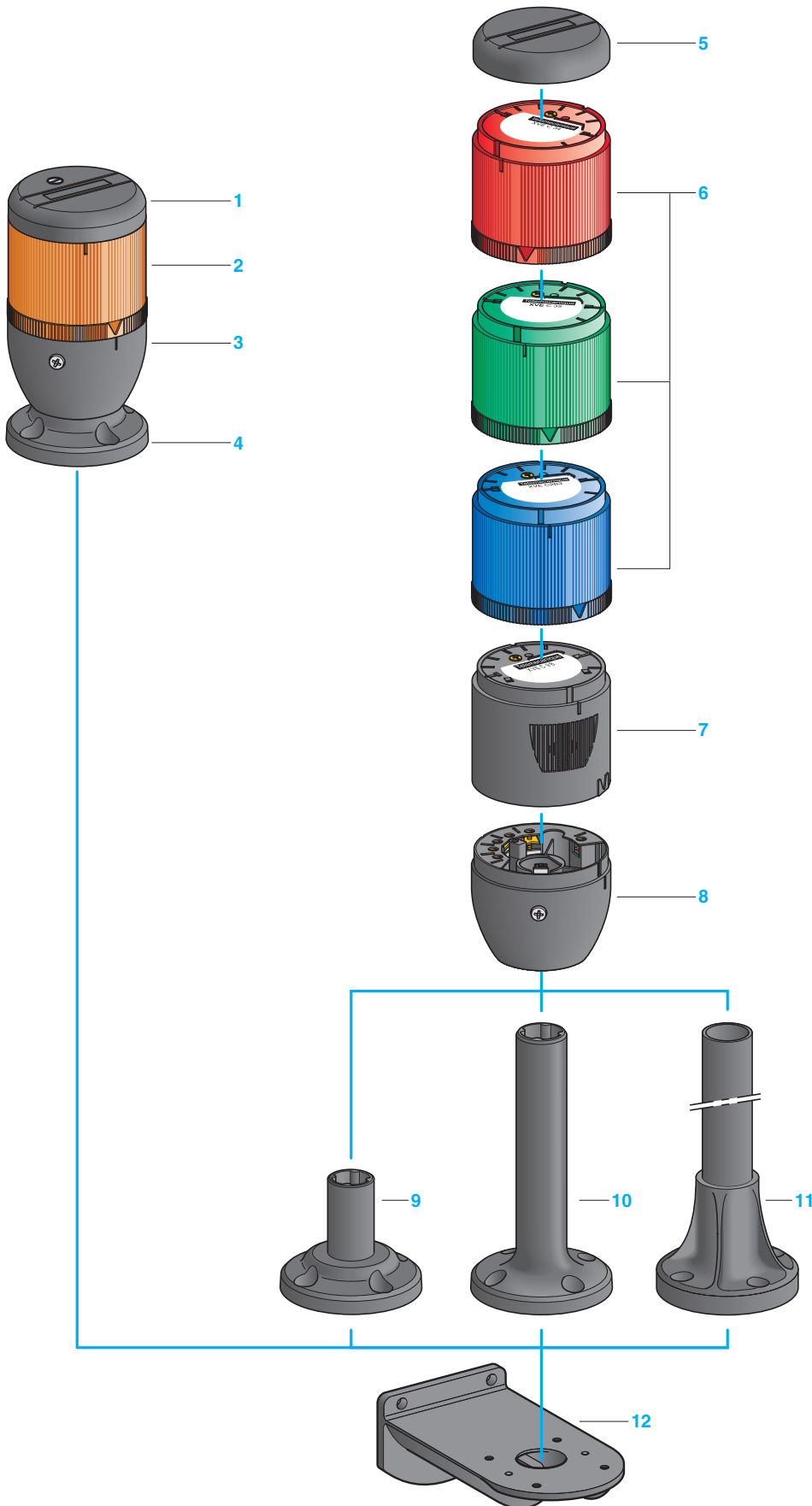


Note: support tube XVP C0●● with integral fixing base must be used.

Beacons and indicator banks

Beacons and indicator banks Ø 70 mm

Harmony type XVE Optimum



Description

Illuminated beacon

The illuminated beacon is a complete product comprising:

- 1 A screw fixing cover.
- 2 One coloured illuminated unit (green, red, orange, blue or clear).
- 3 A base unit with terminal block and bottom cable entry.
- 4 A monobloc fixing base for mounting on machine.

Indicator bank

The indicator bank is a customer assembled product using:

- 5 A cover.
- 6 1 to 5 coloured illuminated units (green, red, orange, blue or clear) with a choice of 3 types of signalling (steady, flashing or "flash").
- 7 1 audible unit.
- 8 A base unit (IP 42 or IP 54) with terminal block and bottom cable entry.
- 9 A plastic fixing base, 20 mm high.
- 10 A plastic fixing base, 100 mm high.
- 11 An aluminium support tube glued into a plastic fixing plate, for heights beneath the base unit of 80, 380 or 780 mm.

To be ordered separately:

- 12 Fixing plate for mounting on vertical support.

4

Presentation

The beacons and indicator banks of the XVE range are designed for remote signalling of the status of a machine, equipment or specific application, either visually using illuminated units which are visible throughout 360° or audibly using an 85 dB buzzer.

The XVE Optimum range provides efficient signalling (5 colours available), at medium range distances (30 m), in both indoor and outdoor environments.

The standard configuration of the beacons and indicator banks is an IP 42 degree of protection, which is sufficient for the majority of indoor applications.

Both the IP 42 pre-configured beacons and indicator banks can be upgraded to IP 54 by using a sealing kit (1).

Depending on the indicator bank base unit selected, it is possible to achieve an IP 54 degree of protection for outdoor usage (1).

Composition

- The beacons are supplied complete and incorporate a single steady or “flash” light illuminated unit and a short fixing base. They are ready to use.

- The indicator banks must be assembled by the user and comprise signalling units, mounted on a base unit, and a fixing base. These various items are to be selected from the catalogue.

- For an indicator bank, a maximum of 5 illuminated units or 4 illuminated units + 1 audible unit can be assembled.

- The illuminated or audible units stack vertically and are easily fitted together. A screw secures their mounting. Electrical connections between each unit are made automatically as the units are mechanically assembled.

- All the signalling units are identical in size and their positioning is unrestricted.

Signalling functions

Steady light signalling

Two types of light source are available for steady light signalling:

- The incandescent BA 15d base fitting bulb, 5 W max. power, is recommended for infrequent usage and where no vibration or mechanical shock exists. The bulb is not included with the lens unit and must be fitted separately.

- LEDs are recommended for continuous usage: 100,000 operating hours without maintenance and low consumption. They have a good resistance to vibration. Using an LED of a colour best suited to the colour of the lens unit provides optimal luminosity.

Flashing light signalling

Flashing light signalling is also obtained using the LED. It meets requirements regarding reliability, continuous usage and electronic simplicity.

A flashing function can also be obtained from a steady light LED illuminated unit by using a PLC output signal.

“Flash” light signalling

The light source is a 1 Joule discharge tube which delivers a powerful warning signal. It is available for the 5 colours.

Audible signalling

Audible signalling is provided by a continuous tone buzzer with a power rating of 85 dB at 1 m.

Installation

Mounting

Fixed onto support panel using plastic monobloc fixing base or fixing base comprising an aluminium support tube glued into a plastic fixing plate.

Cabling

By means of terminal block incorporated in base unit. The terminals are protected and of the screw and captive cable clamp type.

(1) See page 4/29.

Environment characteristics

Degree of protection	Conforming to IEC 60529		<ul style="list-style-type: none"> ■ IP 42 in vertical position, IP 40 for other positions ■ IP 54 for reinforced protection version: <ul style="list-style-type: none"> □ for all mounting positions using fixing base XVE Z13, □ only in vertical position for other heights of fixing base
Product certifications			UL, CSA, CCC
Approval			CE
Conformity to standards			IEC/EN 60947-1, IEC/EN 60947-5-1
Ambient air temperature	For storage	°C	- 40...+ 70
	For operation	°C	- 25...+ 55
Electric shock protection Conforming to IEC 61140	Mounted on plastic support tube		Class I
	Mounted on aluminium support tube		Class I
Protective treatment			Standard version: "TC"
Electronic components protection (LED and flash)	By integral fuse in series on the common	A	0.63 (≈ 24 V)
		A	0.16 (≈ 120...240 V)

Electrical characteristics

Illuminated units			With bulb, not included (lens unit only)	With integral LED, steady light signalling	With integral LED, flashing light signalling	With "flash" discharge tube, 1 Joule
Rated insulation voltage (Ui)	Conforming to IEC 60947-1	V	250	250	250	250
Voltage limits	Conforming to IEC 60947-5-1	V	0.85...1.10 Un (Un: nominal voltage)			
Light source			BA 15d base fitting bulb, maximum power 5 W (240 V max.)	LED	LED	"Flash" discharge tube, 1 Joule
Consumption	On ≈ 24 V	mA	Depending on bulb used	< 25	< 30	< 145 on ≈ 24 V < 85 on ≈ 24 V
	On ~ 120 V	mA	Depending on bulb used	< 25	< 25	< 35
	On ~ 230/240 V	mA	Depending on bulb used	< 25	< 25	< 25
Rated impulse withstand voltage	Conforming to IEC 60947-1	kV	U imp = 4			
Illuminating power	Average value for all colours	cds/m ²	640	800	800	–
Flashing frequency	Nominal value	Hz	–	–	1	1
Audible units						
Consumption	On ≈ 24 V	mA	< 15			
	On ~ 120 V	mA	< 25			
	On ~ 230/240 V	mA	< 25			
Power	Continuous tone	dB	85 at 1 m			
	Fundamental frequency	kHz	2.6 for continuous tone			
Connection of illuminated and audible units						
Terminal referencing			1 terminal referenced "C" common to all 5 units 5 terminals referenced 1 to 5			
Connection	Maximum clamping capacity on protected, ready-to-tighten, screw and captive cable clamp terminals	mm ²	1 x 1.5 with cable end			

Beacons and indicator banks

Beacons and indicator banks Ø 70 mm

Harmony type XVE Optimum

Illuminated beacons



XVE L3●●



XVE L2●●



XVE L6●●

Illuminated beacons with steady light signalling

Description	Light source	Supply voltage	Colour of lens unit	Reference	Weight kg	
Complete unit comprising: - 1 screw fixing cover, - 1 illuminated unit, - 1 base unit, - 1 short fixing base	Bulb, not included, 5 W max.	≈ 240 V max.	Green	XVE L33	0.245	
			Red	XVE L34	0.245	
			Orange	XVE L35	0.245	
			Blue	XVE L36	0.245	
			Clear	XVE L37	0.245	
			Illuminated unit with integral LED	≈ 24 V	Green	XVE L2B3
	Red	XVE L2B4			0.250	
	Orange	XVE L2B5			0.250	
	Blue	XVE L2B6			0.250	
	Clear	XVE L2B7			0.250	
	≈ 120 V	Green			XVE L2G3	0.250
		Red			XVE L2G4	0.250
		Orange	XVE L2G5	0.250		
Blue		XVE L2G6	0.250			
Clear		XVE L2G7	0.250			
≈ 230 V/240 V	Green	XVE L2M3	0.250			
	Red	XVE L2M4	0.250			
	Orange	XVE L2M5	0.250			
	Blue	XVE L2M6	0.250			
	Clear	XVE L2M7	0.250			

Illuminated beacons with “flash” light signalling

Description	Light source	Supply voltage	Colour of lens unit	Reference	Weight kg
Complete unit comprising: - 1 screw fixing cover, - 1 illuminated unit, - 1 base unit, - 1 short fixing base	Illuminated unit with 1 Joule “flash” discharge tube	≈ 24 V	Green	XVE L6B3	0.270
			Red	XVE L6B4	0.270
			Orange	XVE L6B5	0.270
			Blue	XVE L6B6	0.270
			Clear	XVE L6B7	0.270
			≈ 120 V	Green	XVE L6G3
	Red	XVE L6G4		0.270	
	Orange	XVE L6G5		0.270	
	Blue	XVE L6G6		0.270	
	Clear	XVE L6G7		0.270	
	≈ 230 V/240 V	Green		XVE L6M3	0.270
		Red	XVE L6M4	0.270	
		Orange	XVE L6M5	0.270	
		Blue	XVE L6M6	0.270	
		Clear	XVE L6M7	0.270	

Beacons and indicator banks

Beacons and indicator banks Ø 70 mm

Harmony type XVE Optimum

Indicator banks for customer assembly



XVE C3●



XVE C2●●●



XVE C5●●●



XVE C6●●●



XVE C9●

Illuminated units with steady light signalling

Description	Light source	Supply voltage	Colour of lens unit	Reference	Weight kg	
Lens units only for BA 15d base fitting bulb	Bulb, not included, 5 W max.	≈ 240 V max.	Green	XVE C33	0.072	
			Red	XVE C34	0.072	
			Orange	XVE C35	0.072	
			Blue	XVE C36	0.072	
			Clear	XVE C37	0.072	
Illuminated units	Integral LED	≈ 24 V	Green	XVE C2B3	0.077	
			Red	XVE C2B4	0.077	
			Orange	XVE C2B5	0.077	
			Blue	XVE C2B6	0.077	
			Clear	XVE C2B7	0.077	
			≈ 120 V	Green	XVE C2G3	0.077
				Red	XVE C2G4	0.077
		Orange		XVE C2G5	0.077	
		Blue		XVE C2G6	0.077	
		Clear		XVE C2G7	0.077	
		≈ 230 V/240 V		Green	XVE C2M3	0.077
				Red	XVE C2M4	0.077
			Orange	XVE C2M5	0.077	
			Blue	XVE C2M6	0.077	
Clear	XVE C2M7		0.077			

Illuminated units with flashing light signalling

Illuminated units	Integral LED	≈ 24 V	Green	XVE C5B3	0.077	
			Red	XVE C5B4	0.077	
			Orange	XVE C5B5	0.077	
			Blue	XVE C5B6	0.077	
			Clear	XVE C5B7	0.077	
			≈ 120 V	Green	XVE C5G3	0.077
				Red	XVE C5G4	0.077
		Orange		XVE C5G5	0.077	
		Blue		XVE C5G6	0.077	
		Clear		XVE C5G7	0.077	
		≈ 230 V/240 V		Green	XVE C5M3	0.077
				Red	XVE C5M4	0.077
			Orange	XVE C5M5	0.077	
			Blue	XVE C5M6	0.077	
Clear	XVE C5M7		0.077			

Illuminated units with "flash" light signalling

Illuminated units	"Flash" discharge tube, 1 Joule	≈ 24 V	Green	XVE C6B3	0.094	
			Red	XVE C6B4	0.094	
			Orange	XVE C6B5	0.094	
			Blue	XVE C6B6	0.094	
			Clear	XVE C6B7	0.094	
			≈ 120 V	Green	XVE C6G3	0.094
				Red	XVE C6G4	0.094
		Orange		XVE C6G5	0.094	
		Blue		XVE C6G6	0.094	
		Clear		XVE C6G7	0.094	
		≈ 230 V/240 V		Green	XVE C6M3	0.094
				Red	XVE C6M4	0.094
			Orange	XVE C6M5	0.094	
			Blue	XVE C6M6	0.094	
Clear	XVE C6M7		0.094			

Audible units

Description	Power	Supply voltage	Reference	Weight kg
Buzzer, single tone	85 dB at 1 metre	≈ 24 V	XVE C9B	0.090
		≈ 120 V	XVE C9G	0.090
		≈ 230 V/240 V	XVE C9M	0.090

Beacons and indicator banks

Beacons and indicator banks Ø 70 mm

Harmony type XVE Optimum

Indicator banks for customer assembly (continued)

Separate components for beacons and indicator banks



XVE C21



XVE C21P



XVE Z13

XVD C02



XVB Z02

XVB Z03/Z04



XVB Z01

XVB C12



XVE Z081



XVE Z082



XVE Z083



DL1 BE•S

Base units and covers

Indicator bank usage	Composition	Reference	Weight kg
Indoors (IP 42)	Base unit and cover	XVE C21	0.110
Outdoors (IP 54)	Base unit with seal + screw fixing cover + kit comprising 5 seals for lens units and buzzer + 1 seal for fixing base XVE Z13	XVE C21P	0.120

Fixing components

Description	Height under base unit mm	Colour	Reference	Weight kg
Plastic fixing bases	20	Black	XVE Z13	0.040
	100	Black	XVD C02	0.056
Fixing bases comprising: Ø 25 mm aluminium support tube glued into black plastic fixing plate	80	Black aluminium	XVB Z02	0.110
		Aluminium	XVB Z02A	0.110
	380	Black aluminium	XVB Z03	0.200
		Aluminium	XVB Z03A	0.200
	780	Black aluminium	XVB Z04	0.325
		Aluminium	XVB Z04A	0.325

Description	For	Material	Reference	Weight kg
Fixing plate	Ø 25 mm aluminium support tube (to be glued into fixing plate)	Plastic	XVB Z01	0.050
Fixing plate for use on vertical support	Mounting beacons and indicator banks (requires a fixing base)	Zamak	XVB C12	0.380

Separate components for beacons and indicator banks

Description	For use with	Composition	Reference	Weight kg
Cover	Beacons and indicator banks	–	XVE Z081	0.010
IP 54 sealing kit	Indicator banks	5 toric seals for lens units + base unit seal + 1 fixing plate seal + 1 seal for fixing base XVE Z13 + screw fixing cover	XVE Z082	0.015
	Beacons	1 lens unit seal + 1 base unit seal + 2 fixing base seals	XVE Z083	0.005
Description	Electrical characteristics	Sold in lots of	Reference	Weight kg
Incandescent bulbs with BA 15d base fitting for lens units type XVE L3• and XVE C3•	5 W ≈ 24 V	10	DL1 BEBS	0.100
	5 W ≈ 120 V	10	DL1 BEGS	0.100
	5 W ≈ 230 V	10	DL1 BEMS	0.100

Beacons and indicator banks

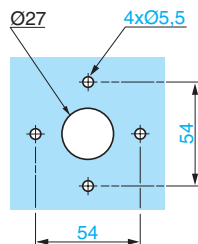
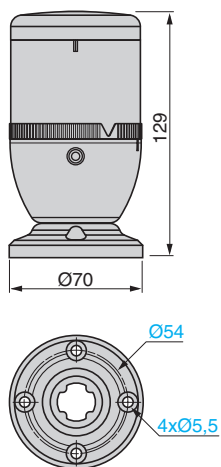
Beacons and indicator banks Ø 70 mm

Harmony type XVE Optimum

Illuminated beacons

Illuminated beacons XVE L●●●

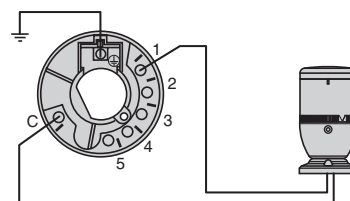
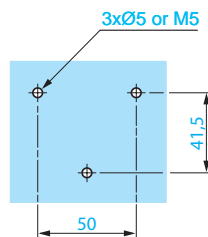
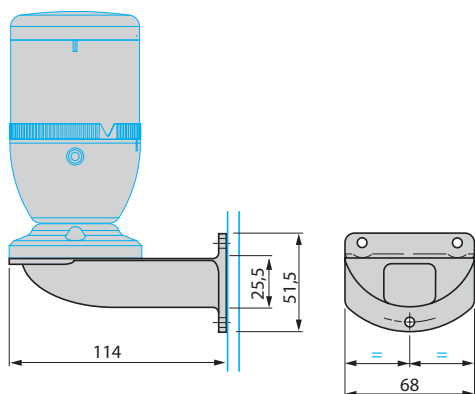
Panel cut-out for mounting directly on fixing base



Mounting on fixing plate XVB C12

Vertical support panel drillings for mounting fixing plate XVB C12

Wiring scheme



4

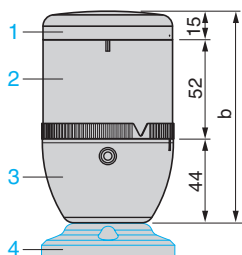
Beacons and indicator banks

Beacons and indicator banks Ø 70 mm

Harmony type XVE Optimum

Indicator banks

Indicator banks XVE C●●



- 1 Cover XVE Z081 or cover XVE C21/C21P (with base unit),
- 2 Illuminated units XVE C●● and/or audible unit XVE C9●,
- 3 Base unit XVE C21/C21P,
- 4 Fixing bases (see below).

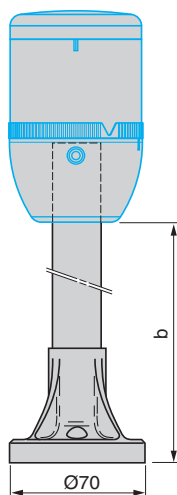
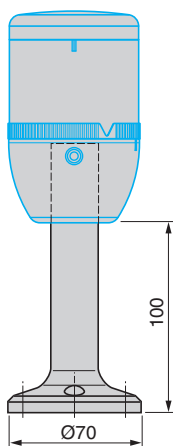
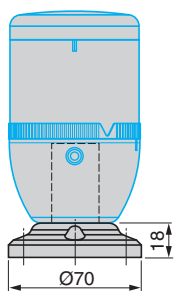
Height of indicator bank	
Number of units (ref. 2)	b
1 unit	111
2 units	163
3 units	215
4 units	267
5 units	319

Fixing bases (height under base unit)

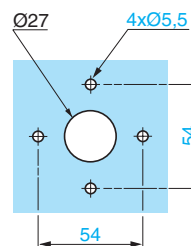
XVE Z13

XVD C02

XVB Z0●●



Panel cut-out for mounting directly on fixing base



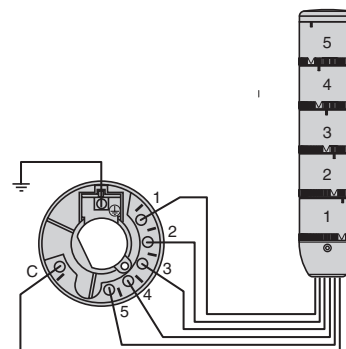
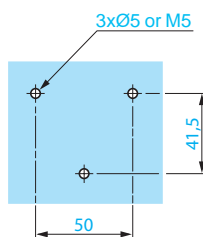
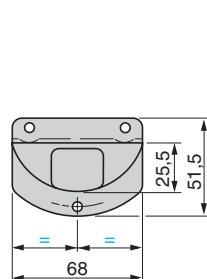
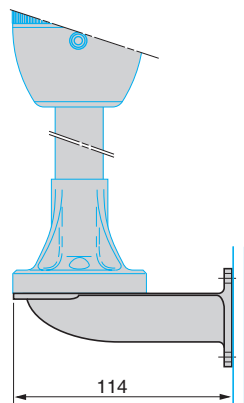
Height under base unit

Fixing base	b
XVB Z02/Z02A	80
XVB Z03/Z03A	380
XVB Z04/Z04A	780

Mounting on fixing plate XVB C12

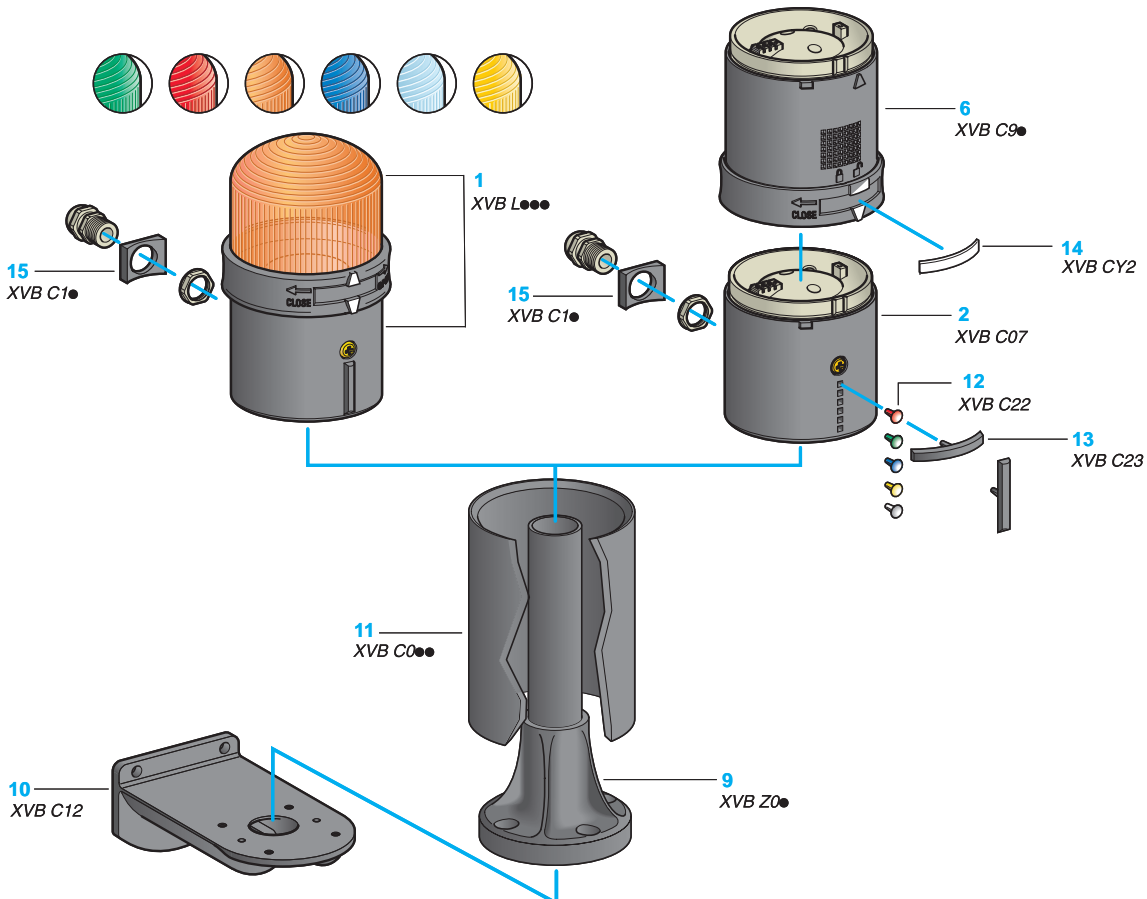
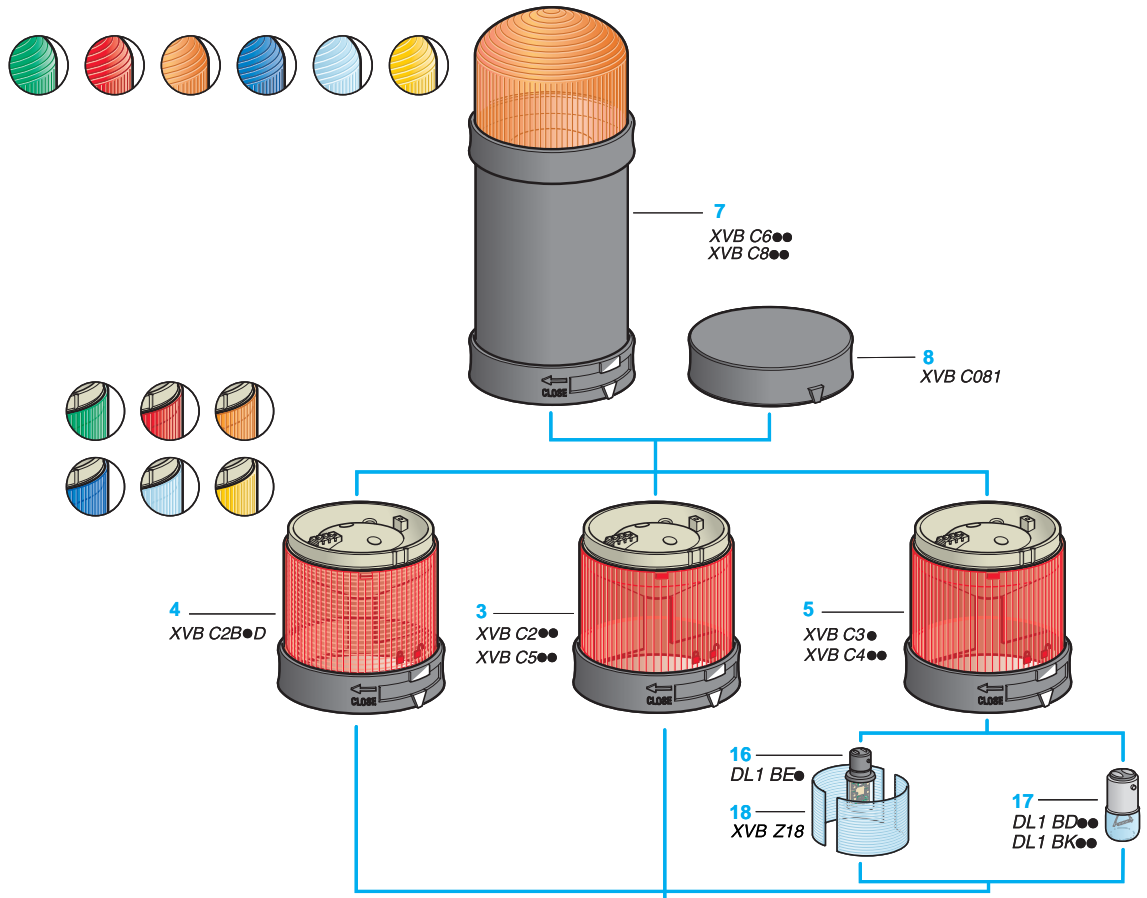
Vertical support panel drillings for mounting fixing plate XVB C12

Wiring scheme



Beacons and indicator banks

Beacons and indicator banks Ø 70 mm
Harmony type XVB Universal



Beacons and indicator banks

Beacons and indicator banks Ø 70 mm

Harmony type XVB Universal

Illuminated beacon

Beacons and indicator banks type XVB are visual or audible signalling units used for indicating, throughout 360° and at a distance, the various states or operation sequences of a machine or installation. Examples: start, stop machine, no material, call technical staff, fault signalling, etc.

Complete product XVB L

Ready assembled **1** with a single illuminated signalling unit:

- steady light (with incandescent bulb or LED),
- flashing light (with incandescent bulb or LED),
- or "flash" (with discharge tube).

The **XVB L** beacon comprises:

- A base unit with a removable terminal block and bottom or side cable entry.
- One coloured illuminated unit (green, red, orange, blue, clear or yellow).

Indicator bank

Customer assembled product XVB C

Variable composition assembly of 1 to 5 illuminated or audible units which are supplied as separate items (assembly by user). Maximum configuration: 5 units or 4 units + 1 "flash" unit.

The indicator bank **XVB C** comprises:

- A base unit with a removable terminal block and bottom or side cable entry **2**.
- 1 to 5 coloured illuminated units (green, red, orange, blue, clear or yellow):
 - with integral LED **3**,
 - with integral LED and diffuser **4 (1)**,
 - for incandescent bulbs or base mounted LEDs **5**.
- 1 or 2 audible units **6**.
- A maximum of 1 "flash" discharge unit (5 Joule or 10 Joule) **7**, for mounting on top of the bank.
- A top cover **8** (except when using a "flash" discharge tube).

■ The illuminated or audible units stack vertically and are easily locked and unlocked using an integral clamping ring. Electrical connections between each unit are made automatically.

■ A light diffuser, pre-fitted in illuminated units XVB C2B•D with a base mounted LED, distributes the light evenly over the lens surface. When using the indicator banks in bright ambient light conditions, remove the diffuser to improve contrast.

■ Connection on the AS-Interface cabling system is possible by ordering a dedicated base unit. Please refer to our "Industrial communication in machines and installations" catalogue.

Accessories

For beacons XVB L and indicator banks XVB C

- Fixing base comprising a support tube glued into a plastic fixing plate, for a height beneath the base unit of 80, 380 or 780 mm **9**.
- Fixing plate for mounting on vertical support **10**.
- Support tube concealment cover, height 100, 400 or 800 mm **11**.
- Coloured markers **12 (1)**.
- Legend holder with legend **13 (1)**.
- Legends that attach to locking ring of each signalling unit for identification **14**.
- Adaptor and 13P cable gland **15**.
- Base mounted LED **16** or incandescent bulb **17**.
- Diffuser **18 (2)**.

Installation

Mounting

- Base unit fixed directly onto panel using 2 screws.
- Fixed using a fixing base comprising an aluminium support tube glued into a plastic fixing plate.

Cabling

By means of removable terminal block incorporated in base unit (simplified wiring). The screw and captive cable clamp terminals are protected to prevent any accidental contact with live parts.

(1) These enable the position of the various units (illuminated or audible) to be identified in the event of dismantling the bank.

(2) The diffuser can only be used with LED illuminated units. Not compatible with units fitted with an incandescent bulb or "flash" discharge tube.

Environment characteristics			
Product certifications	Standard version		CSA C22-2 n°14, UL 508, CCC, GOST
Conformity to standards			EN/IEC 60947-5-1
Protective treatment	Standard version		"TC"
Ambient air temperature	For storage	°C	- 40...+ 70
	For operation (1)	°C	Illuminated units with steady light signalling: - 25...+ 70, with 7 W incandescent bulb - 25...+ 50, with LED
		°C	Illuminated units with flashing light signalling: - 25...+ 50, with 7 W incandescent bulb - 25...+ 50, with LED
		°C	Illuminated units with "flash" discharge tube: - 25...+ 50
		°C	Audible units: - 25...+ 50, with buzzer
Electric shock protection Conforming to IEC 61140	Mounted on support tube		Class I
	Mounted on base unit		Class II
Degree of protection	Conforming to IEC 60529		IP 65 (mounted on fixing base XVB Z0●) IP 66 (mounted directly on base unit)
	Conforming to UL 508		Type 4X NEMA "Indoor"
Material	Illuminated units		Polycarbonate
	Base unit and cover		Glass-reinforced polyamide and polycarbonate
	Support tube		Painted aluminium
	Fixing plate for use on vertical support		Zamak
	Fixing plate for use on horizontal support		Polyamide 66
	Support tube concealment cover		ABS

(1) Warning: illuminated units with incandescent bulbs must not be combined with LED illuminated units, due to the risk of overheating.
Also, when different units (e.g. steady, flashing...) are combined, the maximum temperature is limited to that of the weaker unit.

Beacons and indicator banks

Beacons and indicator banks Ø 70 mm
Harmony type XVB Universal

Electrical characteristics			
Rated insulation voltage (Ui)	Conforming to IEC 60947-1	V	250
Voltage limits	Conforming to IEC 60947-5-1	V	0.85 to 1.10 Un (Un: nominal voltage)
Consumption	LED units	mA	Steady light signalling: \approx 24 V: < 47 \sim 120 V: < 17 \sim 230 V: < 17
		mA	Flashing light signalling: \approx 24 V: < 47 \sim 120 V: < 17 \sim 230 V: < 17
	Units with discharge tube (1)	mA	Flashing light signalling: \sim 24 V: 5 J unit: < 550; 10 J unit: < 1 300 \sim 24 V: 5 J unit: < 350; 10 J unit: < 850 \sim 48 V: 10 J unit: < 650 \sim 48 V: 10 J unit: < 400 \sim 120 V: 5 J unit: < 140; 10 J unit: < 290 \sim 230 V: 5 J unit: < 105; 10 J unit: < 280
	Audible units	mA	\approx 12...48 V: < 15 \sim 120...230 V: < 25
Rated impulse withstand voltage	Conforming to IEC 60947-1	kV	Uimp = 4
Light source	Illuminated units with steady or flashing light signalling		LEDs: degree of pollution 2 Bulbs with BA 15d base fitting, maximum power 7 W
Illuminating power	Units with discharge tube	cds	13 (integral high intensity tube) with clear lens unit: 5 J tube 26 (integral high intensity tube) with clear lens unit: 10 J tube
Audible unit	Continuous or intermittent tone	dB	90 at 1 m
	Fundamental frequency	kHz	2.8
Terminal referencing			1 terminal referenced "C" common to all 5 units
			1 or 5 terminals referenced 1 to 5, depending on number of units
Connection	Maximum clamping capacity on protected, ready-to-tighten, screw and captive cable clamp terminals	mm²	1 x 1.5 with cable end
Frequency of illuminated units	Illuminated units with flashing light signalling	Hz	1
	Illuminated units with discharge tube	Hz	1

(1) **Warning:** illuminated units with a "flash" discharge tube are not suitable for steady light signalling due to the heat generated.

Beacons and indicator banks

Illuminated beacons Ø 70 mm

Harmony type XVB L Universal

Complete beacons for incandescent bulbs or LEDs
(BA 15d base fitting)

XVB L3●



XVB L4B●

Beacons with steady light signalling

Description	Light source, to be ordered separately (1)	Colour	Reference	Weight kg
Complete unit comprising: - 1 illuminated unit - 1 base unit (direct or tube fixing)	Incandescent bulb 7 W max. 250 V max.	Green	XVB L33	0.260
		Red	XVB L34	0.260
		Orange	XVB L35	0.260
		Blue	XVB L36	0.260
		Clear	XVB L37	0.260
		Yellow	XVB L38	0.260

Beacons with integral flashing light signalling

Description	Light source, to be ordered separately (1)	Colour	Reference	Weight kg	
Complete unit comprising: - 1 illuminated unit - 1 base unit (direct or tube fixing)	Incandescent bulb 7 W max. ~ 24 V --- 24...48 V	Green	XVB L4B3	0.280	
		Red	XVB L4B4	0.280	
		Orange	XVB L4B5	0.280	
		Blue	XVB L4B6	0.280	
		Clear	XVB L4B7	0.280	
		Yellow	XVB L4B8	0.280	
		Incandescent bulb 7 W max. ~ 48...230 V	Green	XVB L4M3	0.280
			Red	XVB L4M4	0.280
Orange	XVB L4M5		0.280		
Blue	XVB L4M6		0.280		
Clear	XVB L4M7		0.280		
Yellow	XVB L4M8		0.280		

(1) Incandescent bulbs and LEDs, see page 4/43.

Beacons and indicator banks

Illuminated beacons Ø 70 mm

Harmony type XVB L Universal

Complete beacons with LED light source



XVB L0B●

Beacons with steady light signalling

Description	Light source	Colour	Reference	Weight kg		
Complete unit comprising: - 1 illuminated unit - 1 base unit (direct or tube fixing)	LED, included ≈ 24 V	Green	XVB L0B3	0.270		
		Red	XVB L0B4	0.270		
		Orange	XVB L0B5	0.270		
		Blue	XVB L0B6	0.270		
		Clear	XVB L0B7	0.270		
		Yellow	XVB L0B8	0.270		
		Protected [®] LED	LED, included ~ 120 V	Green	XVB L0G3	0.270
				Red	XVB L0G4	0.270
Orange	XVB L0G5			0.270		
Blue	XVB L0G6			0.270		
Clear	XVB L0G7			0.270		
Yellow	XVB L0G8			0.270		
LED, included ~ 230 V				Green	XVB L0M3	0.270
				Red	XVB L0M4	0.270
		Orange	XVB L0M5	0.270		
		Blue	XVB L0M6	0.270		
		Clear	XVB L0M7	0.270		
		Yellow	XVB L0M8	0.270		



XVB L1B●

Beacons with integral flashing light signalling

Description	Light source	Colour	Reference	Weight kg		
Complete unit comprising: - 1 illuminated unit - 1 base unit (direct or tube fixing)	LED, included ≈ 24 V	Green	XVB L1B3	0.280		
		Red	XVB L1B4	0.280		
		Orange	XVB L1B5	0.280		
		Blue	XVB L1B6	0.280		
		Clear	XVB L1B7	0.280		
		Yellow	XVB L1B8	0.280		
		Protected [®] LED	LED, included ~ 120 V	Green	XVB L1G3	0.280
				Red	XVB L1G4	0.280
Orange	XVB L1G5			0.280		
Blue	XVB L1G6			0.280		
Clear	XVB L1G7			0.280		
Yellow	XVB L1G8			0.280		
LED, included ~ 230 V				Green	XVB L1M3	0.280
				Red	XVB L1M4	0.280
		Orange	XVB L1M5	0.280		
		Blue	XVB L1M6	0.280		
		Clear	XVB L1M7	0.280		
		Yellow	XVB L1M8	0.280		

Beacons and indicator banks

Illuminated beacons Ø 70 mm

Harmony type XVB L Universal

Complete beacons with “flash” discharge tube



XVB L6B●



XVB L8B●

Beacons with 5 Joule “flash” discharge tube

Description	Light source	Colour	Reference	Weight kg
Complete unit comprising: - 1 illuminated unit - 1 base unit (direct or tube fixing)	Integral “flash” discharge tube ≈ 24 V	Green	XVB L6B3	0.440
		Red	XVB L6B4	0.440
		Orange	XVB L6B5	0.440
		Blue	XVB L6B6	0.440
		Clear	XVB L6B7	0.440
		Yellow	XVB L6B8	0.440
Integral “flash” discharge tube ~ 120 V	Integral “flash” discharge tube ~ 120 V	Green	XVB L6G3	0.425
		Red	XVB L6G4	0.425
		Orange	XVB L6G5	0.425
		Blue	XVB L6G6	0.425
		Clear	XVB L6G7	0.425
		Yellow	XVB L6G8	0.425
Integral “flash” discharge tube ~ 230 V	Integral “flash” discharge tube ~ 230 V	Green	XVB L6M3	0.435
		Red	XVB L6M4	0.435
		Orange	XVB L6M5	0.435
		Blue	XVB L6M6	0.435
		Clear	XVB L6M7	0.435
		Yellow	XVB L6M8	0.435

Beacons with 10 Joule “flash” discharge tube

Description	Light source	Colour	Reference	Weight kg
Complete unit comprising: - 1 illuminated unit - 1 base unit (direct or tube fixing)	Integral “flash” discharge tube ≈ 24 V	Green	XVB L8B3	0.450
		Red	XVB L8B4	0.450
		Orange	XVB L8B5	0.450
		Blue	XVB L8B6	0.450
		Clear	XVB L8B7	0.450
		Yellow	XVB L8B8	0.450
Integral “flash” discharge tube ~ 120 V	Integral “flash” discharge tube ~ 120 V	Green	XVB L8G3	0.460
		Red	XVB L8G4	0.460
		Orange	XVB L8G5	0.460
		Blue	XVB L8G6	0.460
		Clear	XVB L8G7	0.460
		Yellow	XVB L8G8	0.460
Integral “flash” discharge tube ~ 230 V	Integral “flash” discharge tube ~ 230 V	Green	XVB L8M3	0.460
		Red	XVB L8M4	0.460
		Orange	XVB L8M5	0.460
		Blue	XVB L8M6	0.460
		Clear	XVB L8M7	0.460
		Yellow	XVB L8M8	0.460

Beacons and indicator banks

Indicator banks Ø 70 mm

Harmony type XVB C Universal (customer assembly, up to 5 units)

Illuminated units for incandescent bulbs or LEDs
(BA 15d base fitting)

For use with base unit XVB C●●: see page 4/42



XVB C3●



XVB C4●●

Illuminated units with steady light signalling

Description	Light source, to be ordered separately (1)	Colour	Reference	Weight kg
Illuminated units	Incandescent bulb 7 W max. 250 V max. or LED	Green	XVB C33	0.140
		Red	XVB C34	0.140
		Orange	XVB C35	0.140
		Blue	XVB C36	0.140
		Clear	XVB C37	0.140
		Yellow	XVB C38	0.140

Illuminated units with integral flashing light signalling

Description	Light source, to be ordered separately (1)	Colour	Reference	Weight kg	
Illuminated units	Incandescent bulb 7 W max. ~ 24 V ~ 24...48 V or LED	Green	XVB C4B3	0.160	
		Red	XVB C4B4	0.160	
		Orange	XVB C4B5	0.160	
		Blue	XVB C4B6	0.160	
		Clear	XVB C4B7	0.160	
		Yellow	XVB C4B8	0.160	
		Incandescent bulb 7 W max. ~ 48...230 V or LED	Green	XVB C4M3	0.160
			Red	XVB C4M4	0.160
	Orange		XVB C4M5	0.160	
	Blue		XVB C4M6	0.160	
	Clear		XVB C4M7	0.160	
	Yellow		XVB C4M8	0.160	

(1) Incandescent bulbs and LEDs, see page 4/43.

Beacons and indicator banks

Indicator banks Ø 70 mm

Harmony type XVB C Universal (customer assembly, up to 5 units)

Illuminated units with integral LED

For use with base unit XVB C●●: see page 4/42



XVB C2●●

Illuminated units with steady light signalling

Description	Voltage	Colour	Reference	Weight kg
Illuminated units with integral LED	≈ 24 V	Green	XVB C2B3 (1)	0.150
		Red	XVB C2B4 (1)	0.150
		Orange	XVB C2B5 (1)	0.150
		Blue	XVB C2B6 (1)	0.150
		Clear	XVB C2B7 (1)	0.150
		Yellow	XVB C2B8 (1)	0.150
	~ 120 V	Green	XVB C2G3	0.150
		Red	XVB C2G4	0.150
		Orange	XVB C2G5	0.150
		Blue	XVB C2G6	0.150
Clear		XVB C2G7	0.150	
Yellow		XVB C2G8	0.150	
~ 230 V	Green	XVB C2M3	0.150	
	Red	XVB C2M4	0.150	
	Orange	XVB C2M5	0.150	
	Blue	XVB C2M6	0.150	
	Clear	XVB C2M7	0.150	
	Yellow	XVB C2M8	0.150	

Protected LED

4



XVB C5●●

Illuminated units with integral flashing light signalling

Description	Voltage	Colour	Reference	Weight kg
Illuminated units with integral LED	≈ 24 V	Green	XVB C5B3	0.170
		Red	XVB C5B4	0.170
		Orange	XVB C5B5	0.170
		Blue	XVB C5B6	0.170
		Clear	XVB C5B7	0.170
		Yellow	XVB C5B8	0.170
	~ 120 V	Green	XVB C5G3	0.170
		Red	XVB C5G4	0.170
		Orange	XVB C5G5	0.170
		Blue	XVB C5G6	0.170
Clear		XVB C5G7	0.170	
Yellow		XVB C5G8	0.170	
~ 230 V	Green	XVB C5M3	0.170	
	Red	XVB C5M4	0.170	
	Orange	XVB C5M5	0.170	
	Blue	XVB C5M6	0.170	
	Clear	XVB C5M7	0.170	
	Yellow	XVB C5M8	0.170	

Protected LED

(1) To order an illuminated unit with integral LED pre-fitted with light diffuser XVB Z18, add the letter "D" to the end of the reference. Example: XVB C2B3D.

Beacons and indicator banks

Indicator banks Ø 70 mm

Harmony type XVB C Universal (customer assembly, up to 5 units)

Illuminated units with integral "flash" discharge tube

For use with base unit XVB C●●: see page 4/42



XVB C6●●



XVB C8●●

Illuminated units with 5 Joule "flash" discharge tube

Description	Light source	Colour	Reference	Weight kg	
Illuminated units	Integral "flash" discharge tube ~ 24 V	Green	XVB C6B3	0.295	
		Red	XVB C6B4	0.295	
		Orange	XVB C6B5	0.295	
		Blue	XVB C6B6	0.295	
		Clear	XVB C6B7	0.295	
		Yellow	XVB C6B8	0.295	
		Integral "flash" discharge tube ~ 120 V	Green	XVB C6G3	0.280
			Red	XVB C6G4	0.280
	Orange		XVB C6G5	0.280	
	Blue		XVB C6G6	0.280	
	Clear		XVB C6G7	0.280	
	Yellow		XVB C6G8	0.280	
	Integral "flash" discharge tube ~ 230 V		Green	XVB C6M3	0.290
			Red	XVB C6M4	0.290
		Orange	XVB C6M5	0.290	
		Blue	XVB C6M6	0.290	
		Clear	XVB C6M7	0.290	
		Yellow	XVB C6M8	0.290	

Illuminated units with 10 Joule "flash" discharge tube

Description	Light source	Colour	Reference	Weight kg	
Illuminated units	Integral "flash" discharge tube ~ 24 V	Green	XVB C8B3	0.305	
		Red	XVB C8B4	0.305	
		Orange	XVB C8B5	0.305	
		Blue	XVB C8B6	0.305	
		Clear	XVB C8B7	0.305	
		Yellow	XVB C8B8	0.305	
		Integral "flash" discharge tube ~ 48 V	Orange	XVB C8E5	0.315
	Integral "flash" discharge tube ~ 120 V	Green	XVB C8G3	0.315	
		Red	XVB C8G4	0.315	
		Orange	XVB C8G5	0.315	
		Blue	XVB C8G6	0.315	
		Clear	XVB C8G7	0.315	
		Yellow	XVB C8G8	0.315	
		Integral "flash" discharge tube ~ 230 V	Green	XVB C8M3	0.315
			Red	XVB C8M4	0.315
	Orange		XVB C8M5	0.315	
	Blue		XVB C8M6	0.315	
	Clear		XVB C8M7	0.315	
	Yellow		XVB C8M8	0.315	

Beacons and indicator banks

Indicator banks Ø 70 mm

Harmony type XVB C Universal (customer assembly, up to 5 units)

Audible units, base units, cover, accessories



XVB C9e

Audible units			
Description	Characteristics	Reference	Weight kg
Buzzer, 90 dB at 1 m Adjustable: - 70 or 90 dB - continuous or intermittent tone using microswitch	≈ 12...48 V	XVB C9B	0.170
	≈ 120...230 V	XVB C9M	0.180

Base units (for direct or tube fixing)				
Description	For use with	Type	Reference	Weight kg
Base unit + cover with bottom or side cable entry	Banks without "flash" discharge tube unit	Standard	XVB C21	0.190
Base unit only with bottom or side cable entry	Banks with "flash" discharge tube unit	Standard	XVB C07	0.160
Base unit + cover with side cable entry	All types of bank	AS-Interface (1)	XVB C21A	–
Base unit + cover with bottom entry, pre-cabled (length 1 metre) and fitted with M12 end connector	All types of bank	AS-Interface (1)	XVB C21B	–

(1) For further information on AS-Interface connections, refer to our "Industrial communication in machines and installations" catalogue.

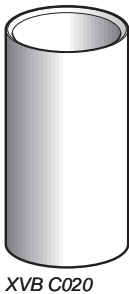
Accessories specific to indicator banks XVB C			
Description	Application	Unit reference	Weight kg
Cover only	For use with XVB C2, XVB C3, XVB C4, XVB C5 and XVB C9	XVB C081	0.030
Set of 6 coloured markers	For identification of the position of units in the event of dismantling the bank	XVB C22	0.001
Set of 5 legend holders	For identification of stacked units on base unit	XVB C23	0.002
Sheet of 85 legends	For use with base unit legend holder XVB C23	XVB CY1	0.005
Sheet of 52 legends	For identification of stacked units, used on locking ring	XVB CY2	0.005
Adaptor for side entry through base unit	With 13P cable gland	XVB C14	0.015
SIS labelling software (in English, French, German, Italian and Spanish)	For creating legends	XBY 2U	0.100
Light diffuser, clear plastic (Sold in boxes)	Only for use with LED illuminated units (all colours) One box allows to equip 5 illuminated units.	XVB Z18	0.080



XVB C07



XVB Z18



Accessories common to beacons XVB L and indicator banks XVB C

Description	Height under base unit (mm)	Colour	Reference	Weight kg
Fixing bases comprising Ø 25 mm aluminium support tube glued into a black plastic fixing plate	80	Black aluminium	XVB Z02	0.110
	380	Aluminium	XVB Z02A	0.110
		Black aluminium	XVB Z03	0.200
	780	Aluminium	XVB Z03A	0.200
		Black aluminium	XVB Z04	0.325
			Aluminium	XVB Z04A

Description	For use with	Material	Reference	Weight kg
Support tube concealment cover	Support tubes XVB Z02, XVB Z02A	ABS	XVB C020	0.080
	Support tubes XVB Z03, XVB Z03A	ABS	XVB C030	0.305
	Support tubes XVB Z04, XVB Z04A	ABS	XVB C040	0.610
Ø 25 mm aluminium support tube	Fixing plate XVB Z01 (to be glued into the plastic fixing plate)	Plastic	XVB Z14	0.690
Fixing plate for use on horizontal support	Ø 25 mm aluminium support tube	Plastic	XVB Z01	0.050
Fixing plate for use on vertical support	Base unit (direct mounting), fixing plate XVB Z01 or fixing bases XVB Z0●	Zamak	XVB C12	0.380

Description	Characteristics		Sold in lots of	Unit reference	Weight kg	
Incandescent bulbs BA 15d base fitting	12 V	7 W	10	DL1 BEJ	0.090	
	24 V	6.5 W	10	DL1 BEB	0.090	
	48 V	6 W	10	DL1 BEE	0.090	
	120 V	7 W	10	DL1 BEG	0.090	
	230 V	7 W	10	DL1 BEM	0.090	
LEDs BA 15d base fitting	~ 24 V	White	1	DL1 BDB1	0.015	
		Green	1	DL1 BDB3	0.015	
		Red	1	DL1 BDB4	0.015	
		Orange	1	DL1 BDB5	0.015	
		Blue	1	DL1 BDB6	0.015	
		Yellow	1	DL1 BDB8	0.015	
		~ 120 V	White	1	DL1 BDG1	0.015
			Green	1	DL1 BDG3	0.015
	Red		1	DL1 BDG4	0.015	
	Orange		1	DL1 BDG5	0.015	
	~ 230 V	Blue	1	DL1 BDG6	0.015	
		Yellow	1	DL1 BDG8	0.015	
		White	1	DL1 BDM1	0.015	
		Green	1	DL1 BDM3	0.015	
	Flashing LEDs BA 15d base fitting	~ 24 V	Red	1	DL1 BDM4	0.015
			Orange	1	DL1 BDM5	0.015
Blue			1	DL1 BDM6	0.015	
Yellow			1	DL1 BDM8	0.015	
White			1	DL1 BKB1	0.015	
Green			1	DL1 BKB3	0.015	
Red			1	DL1 BKB4	0.015	
Orange			1	DL1 BKB5	0.015	
~ 120 V		Blue	1	DL1 BKB6	0.015	
		Yellow	1	DL1 BKB8	0.015	
		White	1	DL1 BKG1	0.015	
		Green	1	DL1 BKG3	0.015	
		Red	1	DL1 BKG4	0.015	
		Orange	1	DL1 BKG5	0.015	
		Blue	1	DL1 BKG6	0.015	
		Yellow	1	DL1 BKG8	0.015	
~ 230 V	White	1	DL1 BKM1	0.015		
	Green	1	DL1 BKM3	0.015		
	Red	1	DL1 BKM4	0.015		
	Orange	1	DL1 BKM5	0.015		
	Blue	1	DL1 BKM6	0.015		
	Yellow	1	DL1 BKM8	0.015		

Protected LED

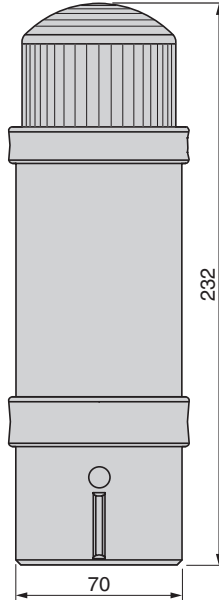
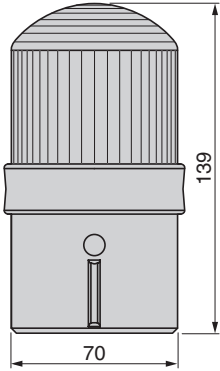
Protected LED

Dimensions

Illuminated beacons XVB L●●●

For BA 15d bulb or LED

With "flash" discharge tube unit

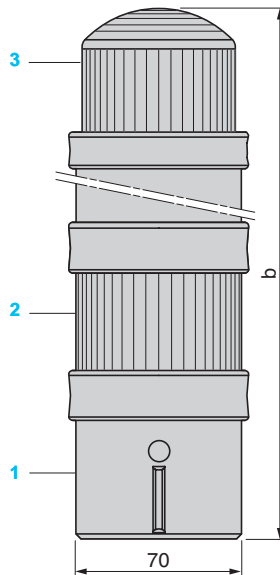
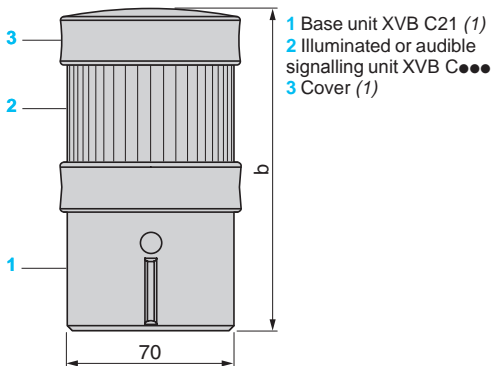


4

Indicator banks XVB C●●●

Without "flash" discharge tube unit

With "flash" discharge tube unit



- 1 Base unit XVB C21 (1)
- 2 Illuminated or audible signalling unit XVB C●●●
- 3 Cover (1)

- 1 Base unit XVB C07
- 2 Illuminated or audible signalling unit XVB C●●●
- 3 "Flash" unit XVB C●●●

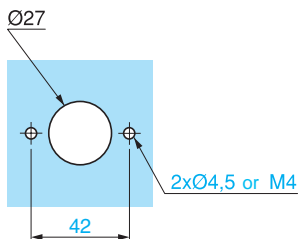
Number of illuminated or audible signalling units (no "flash")	b
1	138
2	201
3	264
4	327
5	390

Number of illuminated or audible signalling units other than "flash" tube	b
1	295
2	358
3	421
4	484

(1) Base unit XVB C21 is supplied with a cover.

Panel cut-out for direct fixing

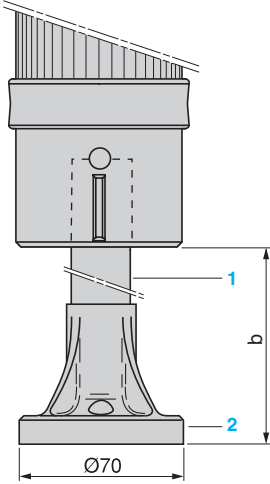
On base unit XVB C21, XVB C07, XVB C21A or XVB C21B



Dimensions

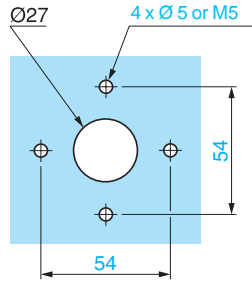
With fixing bases comprising XVB Z0● (aluminium support tube glued into black plastic fixing plate)

Horizontal support panel cut-out for mounting on fixing plate



Fixing base comprising XVB Z0● (Ø 25 mm support tube 1 glued into plastic fixing plate 2)

XVB	b
Z02/Z02A	80
Z03/Z03A	380
Z04/Z04A	780

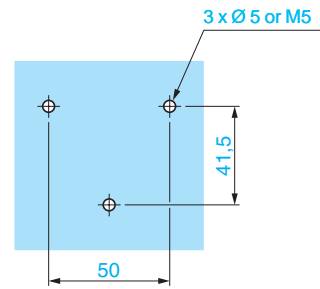
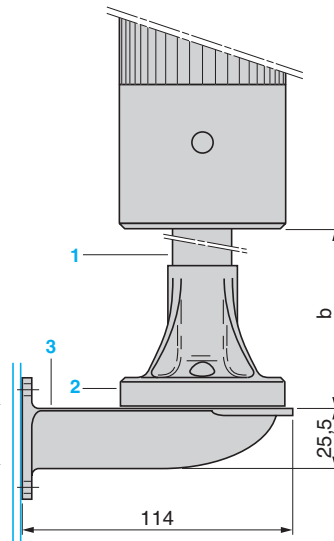
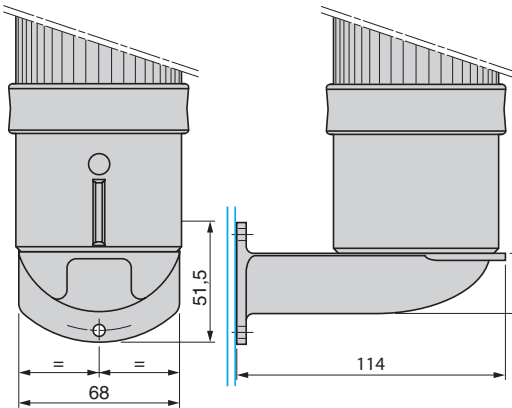


With fixing plate XVB C12 for use on vertical support

Direct mounting on base unit

Mounting using fixing base XVB Z0● (aluminium support tube glued into black plastic fixing plate)

Vertical support panel drillings for mounting fixing plate XVB C12



Fixing base comprising XVB Z0● (Ø 25 mm support tube 1 glued into plastic fixing plate 2) mounted on fixing plate XVB C12 for vertical support 3

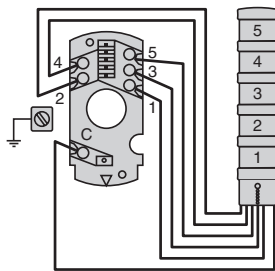
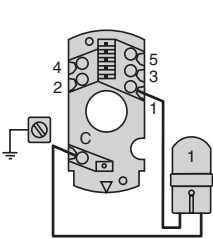
XVB	b
Z02/Z02A	80
Z03/Z03A	380
Z04/Z04A	780

Installation

Connections

XVB L

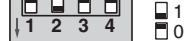
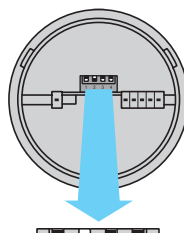
XVB C



Adjustment of audible signal for buzzers type XVB C9●

By means of 4 microswitches located in the base of the buzzer:

- 2 switches marked 1 and 2 for selecting continuous or intermittent mode (Hz).
- 2 switches marked 3 and 4 for selecting the power (dB) of the audible signal.



Position of microswitches	Setting	Mode
1	2	Mode
1	1	— 2.8 kHz
1	0	— 2.8 kHz
0	1	□ 5 Hz (1)
0	0	□ 1 Hz
3	4	Power
1	1	90 dB (1)
0	1	85 dB
1	0	80 dB
0	0	70 dB

(1) Factory setting.

Beacons and indicator banks

Beacons and indicator banks Ø 70 mm

Harmony type XVD Application

Complete pre-cabled beacons and indicator banks and separate components for customer assembly



Complete pre-cabled beacon XVD fitted with "flash" discharge tube



Complete pre-cabled indicator bank XVD fitted with 2 illuminated units and 1 audible unit

4

Presentation

Ø 70 mm beacons and indicator banks type XVD are available in 2 forms:

■ Complete pre-cabled products

Depending on the model, they are "ready to use":

- with 1, 2, 3 or 4 illuminated signalling units (light source included),
- with or without "flash" unit,
- with or without audible signalling unit (buzzer),
- with fixing base.

The complete pre-cabled indicator banks cannot be modified due to the wiring.

■ **Customer assembled products**, using separate components for customised configuration.

Light signalling

■ 6 catalogued illuminated unit lens colours (green, red, orange, blue, clear and yellow) are available as separate components. These illuminated units can be fitted with steady or flashing light signalling LEDs which provide a long service life by considerably reducing heating and power consumption. However, incandescent bulbs can also be used.

■ A light diffuser, pre-fitted in illuminated units with a base mounted LED (1), distributes the light evenly over the lens surface. When using the indicator banks in bright ambient light conditions, remove the diffuser to improve contrast.

■ Some complete pre-cabled beacon and indicator bank models are available with a 5 Joule orange or red "flash" unit, but other colours (green, blue, yellow and clear) can be ordered as separate components.

Audible signalling

Complete pre-cabled indicator banks are supplied with or without an audible unit (buzzer), depending on the model selected.

- The volume of the audible signal is adjustable up to a value of 90 decibels at a distance of 1 m.
- Microswitches located in the audible unit enable selection of the signal frequency: continuous or intermittent tone.

Cabling and mounting

■ Complete pre-cabled Ø 70 mm beacons and indicator banks XVD have 300 mm long connecting wires protruding from the fixing base.

□ The wires have bared ends to enable direct connection, without the need for wire stripping etc. A label attached to the common (black wire) details the wire colour and associated unit in the bank, from bottom to top:

- brown: 1st unit,
- grey: 2nd unit,
- violet: 3rd unit,
- blue: 4th unit.

□ The connections to customer assembled products are made to a removable terminal block incorporated in the base unit.

■ The fixing of the combined units is assured by a single screw, the length of which depends on the number of units in the bank.

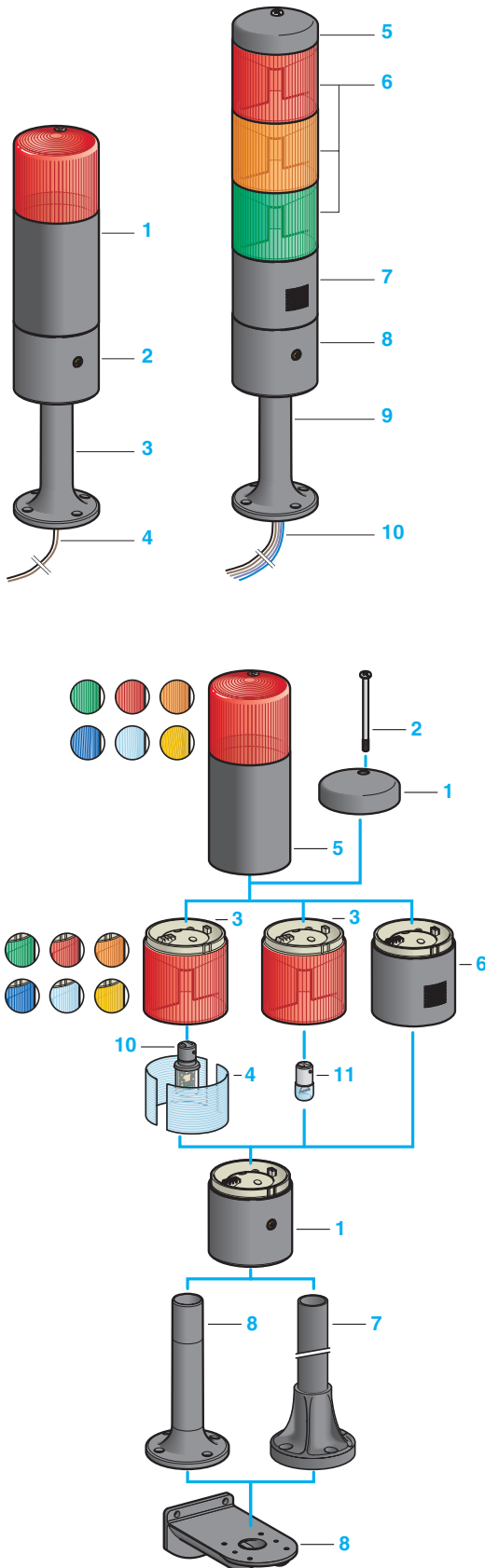
(1) Diffuser not compatible with units fitted with an incandescent bulb or "flash" discharge tube.

Beacons and indicator banks

Beacons and indicator banks Ø 70 mm

Harmony type XVD Application

Complete pre-cabled beacons and indicator banks and separate components for customer assembly



Description

Complete pre-cabled Ø 70 mm beacons and indicator banks XVD

The assembled beacons comprise:

- 1 an illuminated unit with "flash" discharge tube (included) and orange or red lens,
- 2 a base unit,
- 3 a 100 mm high plastic fixing base (support tube with integral fixing plate), for raising the beacon 80 mm,
- 4 different coloured connecting wires with bared ends, length protruding from support tube: 300 mm.

The assembled indicator banks comprise:

- 5 a cover,
- 6 two, three or four illuminated units with red, green, orange or clear lens (depending on model) and light source (included),
- 7 an audible unit (buzzer), depending on model,
- 8 a base unit,
- 9 a 100 mm high plastic fixing base (support tube with integral fixing plate), for raising the indicator bank 80 mm,
- 10 different coloured connecting wires with bared ends, length protruding from support tube: 300 mm.

Breakdown of the reference for a complete indicator bank (1)

	XVD	Number of signalling units				
		1	2	3	4	
Voltage	\approx 24 V \sim 110 V \sim 230 V	B G M				
Light source	Incandescent bulb LED	1 2				
Buzzer	Without With	(2) S				
Illuminated unit	Colour	Red Orange Green Clear	R A G C	R A G C	R A G C	R A G C
	Signalling	Steady "Flash"	(2) 6	(2) 6	(2) 6	(2) 6

Reference example

XVD B2SGR = indicator bank for \approx 24 V supply voltage comprising a buzzer, one green lens illuminated unit and one red lens illuminated unit, both fitted with an LED.

Customer assembled Ø 70 mm indicator banks XVD

A **customised** indicator bank can be obtained by assembling:

- 1 a cover and a base unit incorporating a removable terminal block (3) with bottom cable entry,
- 2 a fixing screw for the combined units (4),
- 3 5 illuminated units maximum (5) with red, orange, green, blue or clear lens, light source not included (6),
- 4 a light diffuser (accessory that is only compatible with illuminated units fitted with an LED),
- 5 an illuminated unit with integral "flash" discharge tube (always mounted at the top of the bank),
- 6 an audible unit (buzzer),
- 7 a fixing base comprising an aluminium support tube glued into a plastic fixing plate, for raising the indicator bank by 80, 380 or 780 mm,
- 8 a plastic fixing base (support tube with integral fixing plate), height 100 mm,
- 9 a zamak fixing plate for use on a vertical support,
- 10 Base mounted LED,
- 11 Incandescent bulb.

(1) This table is purely for information and must not be used to create references.

(2) Not indicated, default value.

(3) Electrical connections to removable terminal block to be made by user.

(4) Variable length screw depending on the number of units to be combined. To be ordered separately, see page 4/52.

(5) Maximum configuration possibilities:

- 5 illuminated units mounted on base unit.
- 4 illuminated units + 1 "buzzer" mounted on base unit.

(6) Incandescent bulbs or LEDs to be ordered separately, see page 4/53.

Beacons and indicator banks

Beacons and indicator banks Ø 70 mm

Harmony type XVD Application

Complete pre-cabled beacons and indicator banks and separate components for customer assembly

4

Environment			
Conformity to standards			EN/IEC 60947-5-1
Product certifications			UL, CSA, GOST
Protective treatment	Standard version		"TC"
Ambient air temperature	For storage	°C	- 40...+ 70
	For operation (1)	°C	Illuminated units with steady light signalling: - 25...+ 70, with 10 W max. incandescent bulb - 25...+ 50, with LED
		°C	Illuminated units with flashing light signalling: - 25...+ 50, with 7 W max. incandescent bulb - 25...+ 40, with 10 W max. incandescent bulb - 25...+ 50, with LED
		°C	Illuminated units with "flash" discharge tube: - 25...+ 50
		°C	Audible units: - 25...+ 50, with buzzer
Electric shock protection Conforming to IEC 536	Mounted on support tube		Class I with metal fixing plate Class II with plastic fixing plate
	Mounted on base unit		Class II
Degree of protection	Conforming to IEC 60529		IP 40
Material	Illuminated units		Polycarbonate
	Base unit and cover		Glass-reinforced polyamide and polycarbonate
	Fixing bases		Support tube with integral fixing plate: plastic (XVD C02) Aluminium support tube glued into plastic fixing plate (XVB Z0●)
	Fixing plate XVB C12 for use on vertical support		Zamak

Electrical characteristics			
Rated insulation voltage (Ui)	Conforming to IEC 60947-1	V	250
Voltage limits	Conforming to IEC 60947-5-1	G	0.85 to 1.10 Un (Un: nominal voltage)
Consumption	LED unit	mA	Steady light signalling: ≈ 24 V: < 47 ~ 120 V: < 17 ~ 230 V: < 17
		mA	Flashing light signalling: ≈ 24 V: < 47 ~ 120 V: < 17 ~ 230 V: < 17
	5 Joule "flash" discharge tube unit (on energisation)	mA	~ 24 V: < 550 --- 24 V: < 350 ~ 120 V: < 140 ~ 230 V: < 105
	Audible units	mA	≈ 12...48 V: < 20 ~ 120...230 V: < 50
Rated impulse withstand voltage	Conforming to IEC 60947-1	kV	Uimp = 4
Light source	Illuminated units with steady or flashing light signalling		Incandescent bulbs with BA 15d base fitting, maximum power 10 W LED with BA 15d base fitting
Illuminating power	Illuminated units with discharge circuit (integral discharge tube)	cds	13 (integral high intensity tube) with clear lens unit: 5 J tube
Audible unit	Continuous or intermittent tone	dB	90 at 1 m (adjustable: 70...90 dB)
	Fundamental frequency	kHz	2.8
Terminal referencing	Common to all 5 units		1 terminal referenced "C"
	Depending on number of units		1 or 5 terminals referenced 1 to 5
Connection	Maximum clamping capacity on protected, ready-to-tighten, screw and captive cable clamp terminals	mm ²	1 x 1.5 with cable end 1 x 0.82 with bared wire ends (complete products)
Frequency of illuminated units	Illuminated units with flashing light signalling	Hz	1
	Illuminated units with discharge tube	Hz	1

(1) **Warning:** illuminated units with incandescent bulbs must not be combined with LED illuminated units, due to the risk of overheating.
Also, when different units (e.g. steady, flashing...) are combined, the maximum temperature is limited to that of the weaker unit.

Beacons and indicator banks

Beacons and indicator banks Ø 70 mm

Harmony type XVD Application

Complete pre-cabled beacons and indicator banks



Complete pre-cabled beacons

Composition	Light source (included)	Voltage	Signalling colour (1)		Reference (2)	Weight kg
			Steady	"Flash"		
1 illuminated unit	"Flash" discharge tube 5 J	≈ 24 V	–	R	XVD BR6	0.600
			–	O	XVD BA6	0.600
		~ 230 V	–	R	XVD MR6	0.600
			–	O	XVD MA6	0.600

Complete pre-cabled indicator banks

With 2 signalling units

Composition	Light source (included)	Voltage	Signalling colour (1)		Reference (2)	Weight kg
			Steady	"Flash"		
2 illuminated units	LED	≈ 24 V	G-R	–	XVD B2GR	0.553
			O-R	–	XVD B2AR	0.553
			LED + "flash" discharge tube 5 J	≈ 24 V	G	R
1 illuminated unit + 1 audible "buzzer" unit	"Flash" discharge tube 5 J	≈ 24 V	–	O	XVD BSA6	0.775

With 3 signalling units

Composition	Light source (included)	Voltage	Signalling colour (1)		Reference (2)	Weight kg
			Steady	"Flash"		
3 illuminated units	Incandescent bulb 10 W max.	≈ 24 V	G-O-R	–	XVD B1GAR	0.923
		~ 230 V	G-O-R	–	XVD M1GAR	0.923
	LED	≈ 24 V	G-O-R	–	XVD B2GAR	0.698
		~ 230 V	G-O-R	–	XVD M2GAR	0.698
	LED + "flash" discharge tube 5 J	≈ 24 V	G-O	R	XVD B2GAR6	0.898
		~ 24 V	G-R	–	XVD B2SGR	0.718
2 illuminated units + 1 audible "buzzer" unit	LED	≈ 24 V	O-R	–	XVD B2SAR	0.718
			~ 230 V	G-R	–	XVD M2SGR

With 4 signalling units

Composition	Light source (included)	Voltage	Signalling colour (1)		Reference (2)	Weight kg
			Steady	"Flash"		
4 illuminated units	LED	≈ 24 V	C-G-O-R	–	XVD B2CGAR	0.843
3 illuminated units + 1 audible "buzzer" unit	Incandescent bulb 10 W max.	≈ 24 V	G-O-R	–	XVD B1SGAR	1.088
		≈ 24 V	G-O-R	–	XVD B2SGAR	0.863
		~ 230 V	G-O-R	–	XVD M2SGAR	0.863

(1) Signalling colour: R: red; O: orange; G: green; C: clear.

(2) In the references, the colours are listed in the same order as the mounting of the illuminated units (from bottom to top).



Beacons and indicator banks

Beacons and indicator banks Ø 70 mm

Harmony type XVD Application

Beacons for customer assembly



XVD L3●



XVD L4●●



XVD L6●●

Beacons for customer assembly

With steady light signalling

Description	Light source, to be ordered separately (1)	Colour	Reference	Weight kg
Beacon comprising: - 1 illuminated unit - 1 base unit	Incandescent bulb 10 W max., 250 V max. or LED	Green	XVD L33	0.255
		Red	XVD L34	0.255
		Orange	XVD L35	0.255
		Blue	XVD L36	0.255
		Clear	XVD L37	0.255
		Yellow	XVD L38	0.255

With integral flashing light signalling

Description	Light source, to be ordered separately (1)	Colour	Reference	Weight kg	
Beacon comprising: - 1 illuminated unit - 1 base unit	Incandescent bulb 10 W max., ~ 24 V, ~ 24...48 V or LED	Green	XVD L4B3	0.275	
		Red	XVD L4B4	0.275	
		Orange	XVD L4B5	0.275	
		Blue	XVD L4B6	0.275	
		Clear	XVD L4B7	0.275	
		Yellow	XVD L4B8	0.275	
		Incandescent bulb 10 W max., ~ 48...230 V or LED	Green	XVD L4M3	0.275
			Red	XVD L4M4	0.275
Orange	XVD L4M5		0.275		
Blue	XVD L4M6		0.275		
Clear	XVD L4M7		0.275		
Yellow	XVD L4M8		0.275		

With 5 Joule "flash" discharge tube

Description	Light source (included)	Colour	Reference	Weight kg	
Beacon comprising: - 1 illuminated unit - 1 base unit	Integral "flash" discharge tube ~ 24 V	Green	XVD L6B3	0.480	
		Red	XVD L6B4	0.480	
		Orange	XVD L6B5	0.480	
		Blue	XVD L6B6	0.480	
		Clear	XVD L6B7	0.480	
		Yellow	XVD L6B8	0.480	
		Integral "flash" discharge tube ~ 230 V	Green	XVD L6M3	0.475
			Red	XVD L6M4	0.475
Orange	XVD L6M5		0.475		
Blue	XVD L6M6		0.475		
Clear	XVD L6M7		0.475		
Yellow	XVD L6M8		0.475		

(1) Incandescent bulbs and LEDs: see page 4/53.

Beacons and indicator banks

Beacons and indicator banks Ø 70 mm
Harmony type XVD Application
Indicator banks Ø 70 mm for customer assembly
(up to 5 units)

Indicator banks for customer assembly of 1 to 5 signalling units

Illuminated units with steady light signalling

Description	Light source, to be ordered separately (1)	Colour	Reference	Weight kg
Illuminated units	Incandescent bulb 10 W max., 250 V max. or LED	Green	XVD C33	0.115
		Red	XVD C34	0.115
		Orange	XVD C35	0.115
		Blue	XVD C36	0.115
		Clear	XVD C37	0.115
		Yellow	XVD C38	0.115



XVD C3●

Illuminated units with integral flashing light signalling

Description	Light source, to be ordered separately (1)	Colour	Reference	Weight kg	
Illuminated units	Incandescent bulb 10 W max., ~ 24 V, ~ 24...48 V or LED	Green	XVD C4B3	0.135	
		Red	XVD C4B4	0.135	
		Orange	XVD C4B5	0.135	
		Blue	XVD C4B6	0.135	
		Clear	XVD C4B7	0.135	
		Yellow	XVD C4B8	0.135	
		Incandescent bulb 10 W max., ~ 48...230 V or LED	Green	XVD C4M3	0.135
			Red	XVD C4M4	0.135
Orange	XVD C4M5		0.135		
Blue	XVD C4M6		0.135		
Clear	XVD C4M7		0.135		
Yellow	XVD C4M8		0.135		



XVD C4●●

Light diffuser

Description	For use with	Reference	Weight kg
Light diffuser clear plastic (Sold in boxes)	LED illuminated units only (all colours) One box allows to equip 5 illuminated units.	XVB Z18	0.080



XVB Z18

Illuminated units with 5 Joule "flash" discharge tube

Description	Light source (included)	Colour	Reference	Weight kg	
Illuminated units	Integral "flash" discharge tube ~ 24 V	Green	XVD C6B3	0.310	
		Red	XVD C6B4	0.310	
		Orange	XVD C6B5	0.310	
		Blue	XVD C6B6	0.310	
		Clear	XVD C6B7	0.310	
		Yellow	XVD C6B8	0.310	
		Integral "flash" discharge tube ~ 230 V	Green	XVD C6M3	0.310
			Red	XVD C6M4	0.310
	Orange		XVD C6M5	0.310	
	Blue		XVD C6M6	0.310	
	Clear		XVD C6M7	0.310	
	Yellow		XVD C6M8	0.310	



XVD C6●●

(1) Incandescent bulbs and LEDs: see page 4/53

Beacons and indicator banks

Beacons and indicator banks Ø 70 mm
Harmony type XVD Application
Indicator banks Ø 70 mm for customer assembly
(up to 5 units)



XVD C9



XVD C07

Indicator banks for customer assembly of 1 to 5 signalling units (continued)

Audible units

Description	Characteristics	Reference	Weight kg
Buzzer, 90 dB at 1 m adjustable, 70 to 90 dB, continuous or intermittent mode (using microswitches)	~ 12...48 V	XVD C9B	0.150
	~120...230 V	XVD C9M	0.150

Base units (for direct or support tube fixing)

Description	For use with	Type	Reference	Weight kg
Base unit + cover with bottom cable entry	Banks without "flash" discharge tube unit	Standard	XVD C21	0.180
Base unit only with bottom cable entry	Banks with "flash" discharge tube unit	Standard	XVD C07	0.160

Assembly screw

Screw for assembling signalling units on base unit	Banks without "flash" discharge tube unit	Type	Reference	Weight kg
		1 unit	XVD C03	0.015
	2 units	XVD C04	0.022	
	3 units	XVD C05	0.030	
	4 units	XVD C06	0.038	
	5 units	XVD C08	0.045	
	Banks with "flash" discharge tube unit	1 unit	XVD C09	0.036
		2 units	XVD C10	0.044
		3 units	XVD C11	0.050
		4 units	XVD C12	0.059

Beacons and indicator banks

Beacons and indicator banks Ø 70 mm

Harmony type XVD Application

Accessories for customer assembled beacons and indicator banks



XVB Z02



XVB Z03/Z04



XVD C02



XVB C12



DL1 B●●



DL1 B●●/DL1 BK●●

Accessories common to beacons and indicator banks

Description	Height under base unit (mm)	Support tube colour	Reference	Weight kg
Fixing bases comprising Ø 25 mm aluminium support tube glued into a black plastic fixing plate	80	Black aluminium	XVB Z02	0.110
		Aluminium	XVB Z02A	0.110
	380	Black aluminium	XVB Z03	0.200
		Aluminium	XVB Z03A	0.200
	780	Black aluminium	XVB Z04	0.325
		Aluminium	XVB Z04A	0.325

Description	Details	Colour	Reference	Weight kg
Fixing base (plastic support tube with integral fixing plate)	100 mm	Black	XVD C02	0.070
Fixing plate (Zamak) for use on vertical support	Direct mounting on base unit or using support tube with integral fixing plate XVD C02 or using fixing bases XVB Z0●			0.380
Cover only	-			0.020

Description	Characteristics	Sold in lots of	Unit reference	Weight kg
Incandescent bulbs BA 15d base fitting	12 V	10	DL1 B●J (1)	0.090
	24 V	10	DL1 B●B (1)	0.090
	48 V	10	DL1 B●E (1)	0.090
	120 V	10	DL1 B●G (1)	0.090
	230 V	10	DL1 B●M (1)	0.090

LEDs BA 15d base fitting	Voltage	Colour	Quantity	Unit reference	Weight kg		
						Notes	
~ 24 V		White	1	DL1 BDB1	0.015		
		Green	1	DL1 BDB3	0.015		
		Red	1	DL1 BDB4	0.015		
		Orange	1	DL1 BDB5	0.015		
		Blue	1	DL1 BDB6	0.015		
		Yellow	1	DL1 BDB8	0.015		
		~ 120 V		White	1	DL1 BDG1	0.015
				Green	1	DL1 BDG3	0.015
Red	1			DL1 BDG4	0.015		
Orange	1			DL1 BDG5	0.015		
Blue	1			DL1 BDG6	0.015		
Yellow	1			DL1 BDG8	0.015		
~ 230 V				White	1	DL1 BDM1	0.015
				Green	1	DL1 BDM3	0.015
		Red	1	DL1 BDM4	0.015		
		Orange	1	DL1 BDM5	0.015		
		Blue	1	DL1 BDM6	0.015		
		Yellow	1	DL1 BDM8	0.015		

Flashing LEDs BA 15d base fitting	Voltage	Colour	Quantity	Unit reference	Weight kg		
						Notes	
~ 24 V		White	1	DL1 BKB1	0.015		
		Green	1	DL1 BKB3	0.015		
		Red	1	DL1 BKB4	0.015		
		Orange	1	DL1 BKB5	0.015		
		Blue	1	DL1 BKB6	0.015		
		Yellow	1	DL1 BKB8	0.015		
		~ 120 V		White	1	DL1 BKG1	0.015
				Green	1	DL1 BKG3	0.015
Red	1			DL1 BKG4	0.015		
Orange	1			DL1 BKG5	0.015		
Blue	1			DL1 BKG6	0.015		
Yellow	1			DL1 BKG8	0.015		
~ 230 V				White	1	DL1 BKM1	0.015
				Green	1	DL1 BKM3	0.015
		Red	1	DL1 BKM4	0.015		
		Orange	1	DL1 BKM5	0.015		
		Blue	1	DL1 BKM6	0.015		
		Yellow	1	DL1 BKM8	0.015		

(1) Complete the reference using the letter "E" for a 7 W bulb or the letter "L" for a 10 W bulb. Example: DL1 BEJ.



Beacons and indicator banks

Beacons and indicator banks Ø 70 mm
Harmony type XVD Application
Complete pre-cabled beacons and indicator banks
and separate components for customer assembly

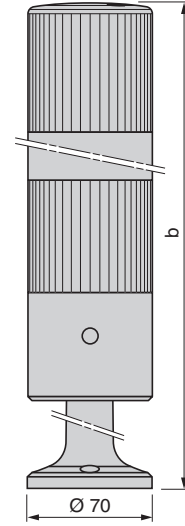
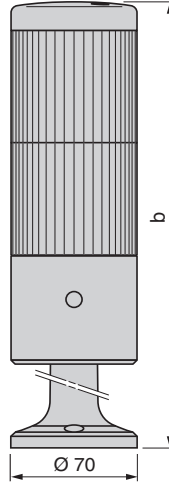
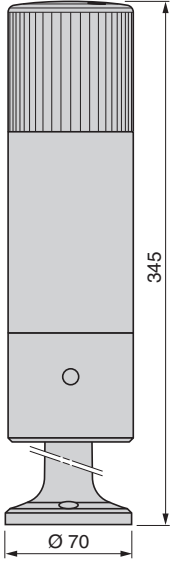
Dimensions

Complete pre-cabled beacons XVD B●6, XVD M●6

Complete pre-cabled indicator banks XVD ●●●●

Without "flash" discharge tube

With "flash" discharge tube



Number of illuminated or audible signalling units (no "flash")	b
2	302
3	365
4	428

Number of illuminated or audible signalling units other than "flash"	b
2	405
3	468

Customer assembled beacons XVD L●●●

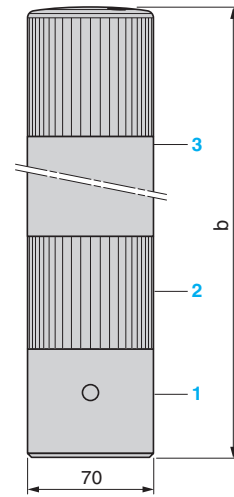
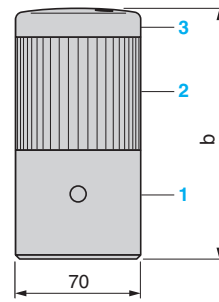
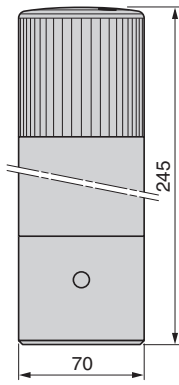
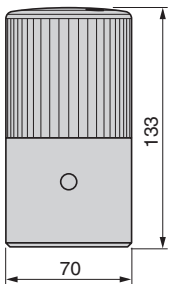
Customer assembled indicator banks XVD C●●●

With steady or flashing light signalling, XVD L3●/L4●●

With "flash" discharge tube, XVD L6●●

Without "flash" discharge tube

With "flash" discharge tube



- 1 Base unit XVD C21 (1)
- 2 Illuminated unit XVD C3●/C4●● or audible unit XVD C9●
- 3 Cover (1)

- 1 Base unit XVD C07
- 2 Illuminated unit XVD C6●● or audible unit XVD C9●
- 3 "Flash" unit XVD C6●●

Number of illuminated or audible signalling units (no "flash")	b
1	140
2	203
3	266
4	329
5	392

Number of illuminated or audible signalling units other than "flash"	b
1	308
2	371
3	434
4	497

(1) Cover included with base unit XVD C21.

Beacons and indicator banks

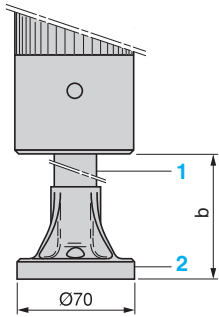
Beacons and indicator banks Ø 70 mm
Harmony type XVD Application
Complete pre-cabled beacons and indicator banks
and separate components for customer assembly

Mounting

With fixing bases XVB Z0● (aluminium support tube glued into black plastic fixing plate)

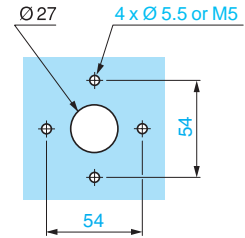
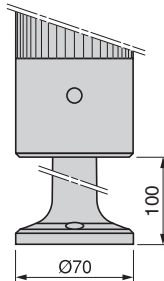
With fixing base XVD C02 (support tube with integral fixing plate)

Horizontal support panel cut-out for mounting on fixing plate



Fixing base comprising XVB Z0● (Ø 25 mm support tube 1 glued into plastic fixing plate 2)

XVB	b
Z02/Z02A	80
Z03/Z03A	380
Z04/Z04A	780

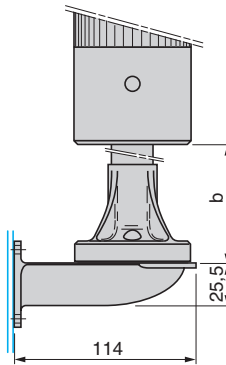
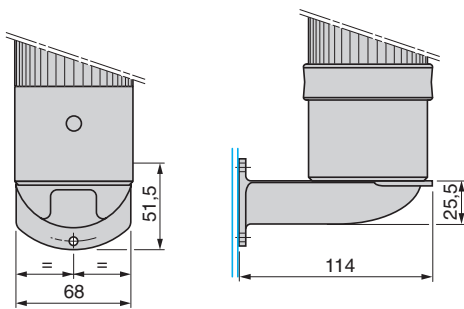


With fixing plate XVB C12 for use on vertical support

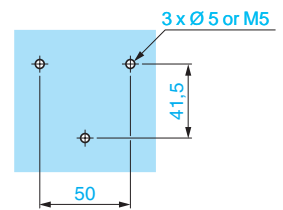
Direct mounting on base unit

Mounting using fixing bases XVB Z0● or XVD C02

Vertical support panel drillings for fixing plate XVB C12



Fixing bases	b
XVB Z02/Z02A	80
XVB Z03/Z03A	380
XVB Z04/Z04A	780
XVD C02	100



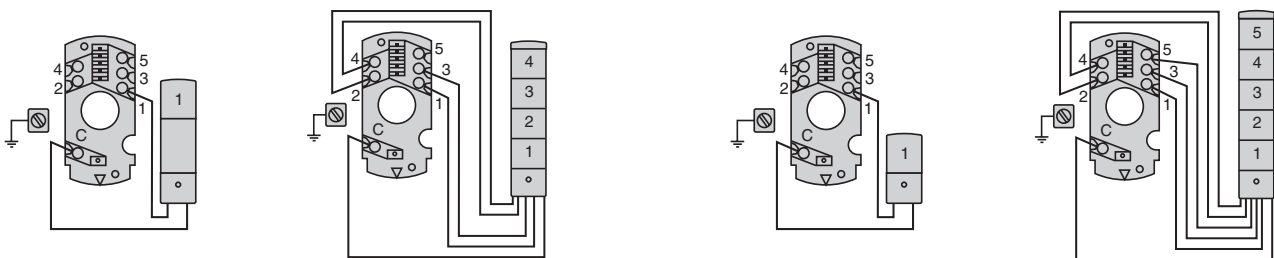
4

Installation

Connections

Complete pre-cabled beacons and indicator banks

Customer assembled beacons and indicator banks



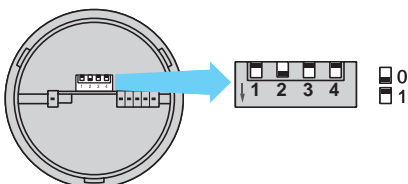
Wire colours of pre-assembled products:

- C: black
- 1: brown
- 2: grey
- 3: violet
- 4: blue

Adjustment of audible signal for buzzers type XVD C9●

By 4 microswitches located in the base of the buzzer:

- 2 switches marked 1 and 2 for selecting continuous or intermittent mode (Hz).
- 2 switches marked 3 and 4 for selecting the audible signal power (dB).



Position of microswitches				Setting	
1	2	3	4	Mode	Power
1	1	1	1	— 2.8 kHz	90 dB (Factory setting)
1	0	0	1	— 2.8 kHz	85 dB
0	1	1	0	⏏ 5 Hz (1)	80 dB
0	0	0	0	⏏ 1 Hz	70 dB